

Detention Push Button Self Closing Basin Assembly - Straight Body - Time Flow

DET603

Detention tapware series have been designed to provide a high level of security with the inclusion of vandal resistant and anti-ligature features. The Detention range is constructed from dezincification resistant (DR) brass.

The conical push button unit activates a time flow valve as specified.

FEATURES:

- Suits stainless steel fixtures
- Complete with regulator
- Smooth clean line chrome plated finish for ease of maintenance
- Low rise push button to minimise ligature risk

Product Codes

DET603	Straight - Timed Flow 15 Seconds*
DET603R	Right Angle - Timed Flow 15 Seconds*
DET603RC	Right Angle - Timed Flow 15 Seconds* (Suit China Bowl)

* Flow times are indicative only and may vary depending on water supply pressure and flow conditions.

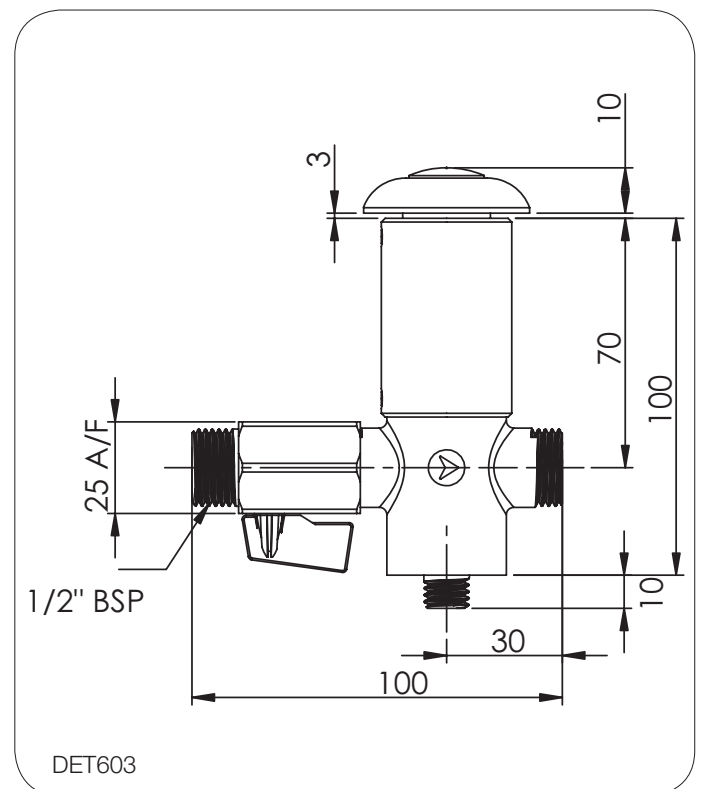
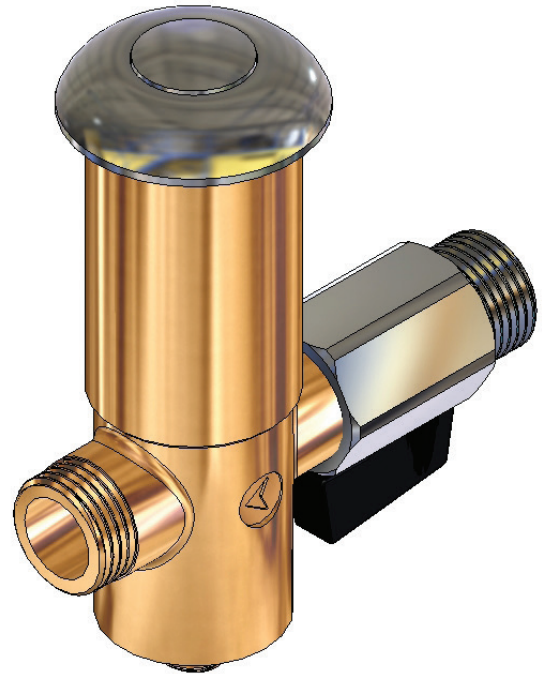
Technical Information

Time Flow - Working Pressure Range	50 - 500 kPa *
Optimum Working Pressure Range	250 - 350kPa for optimum performance
Maximum Working Temperature	50°C

Enware products are to be installed in accordance with the Plumbing Code of Australia and AS/NZS3500.

Reference should also be made to the Australasian Health facility Guidelines (AHFG), ABCB and Local Government regulations when considering the choice of, and the installation of these products.

NOTE: Enware Australia advises: 1. Due to ongoing Research and Development, specifications may change without notice. 2. Component specifications may change on some export models.



Version: Jan20

Call 1300 369 273
www.enware.com

Enware Australia Pty Limited
9 Endeavour Rd Caringbah NSW 2229 Australia
Ph: 02 8536 4000 info@enware.com.au

