

Detention Push Button Self Closing Basin Assembly - Straight Body - Spring Action

DET601

The water efficient Detention tapware series have been designed to provide a high level of security with the inclusion of vandal resistant features. The Detention range is constructed from dezincification resistant (DR) brass.

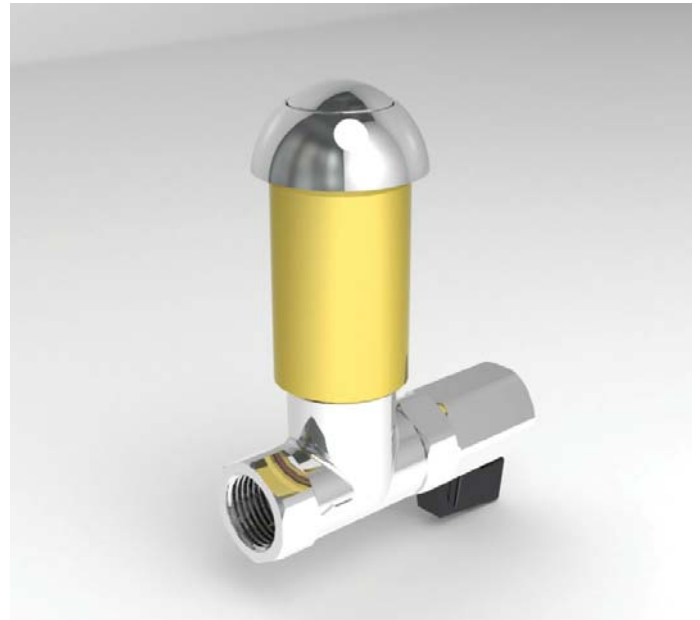
The conical push button unit activates a self-closing or time flow valve as specified.

Features:

- Suits stainless steel fixtures
- Complete with regulator
- Watermark Licensed to AS/NZS 3718
- smooth clean line chrome plated finish, which eliminates horizontal surfaces.

Product Codes

DET601	Straight - Spring Action
DET601R	Right Angle - Spring Action



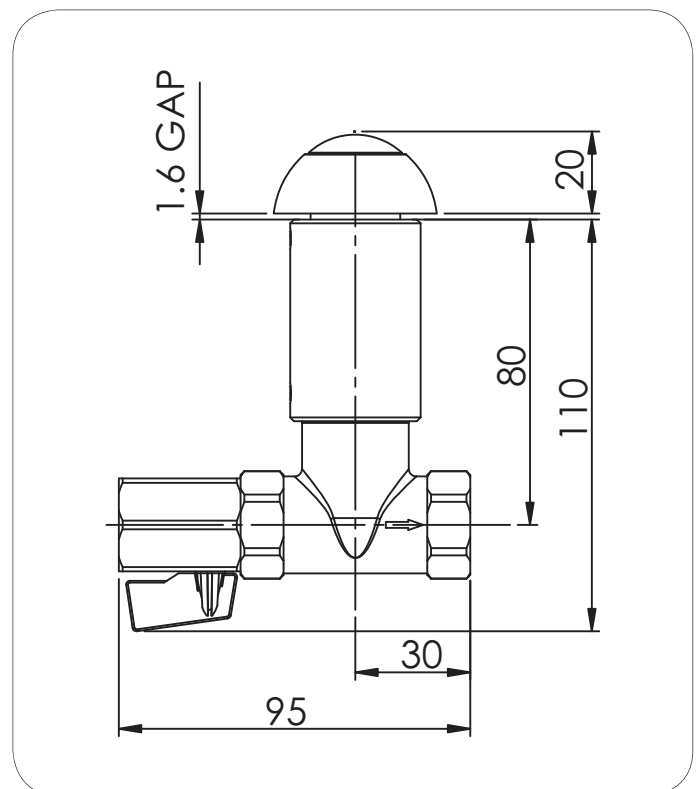
Technical Information

Spring Action - Static Pressure Range	30-1200kPa
Recommended Working Pressure Range	100-500kPa Max (PCA)*
Maximum Working Temperature*	Spring Action - 85°C

*Enware products are to be installed in accordance with AS/NZS3500.

Heated Water Supply AS/NZS 3500.4: For all sanitary fixtures used primarily for personal hygiene purposes are to deliver heated water not exceeding:

- 45°C for early childhood centres, primary and secondary schools and nursing homes or similar facilities for young, aged care, sick people with disabilities (43.5°C - NSW Code of Plumbing Practice)
- 50°C in all other buildings



Version: DEC13

Call 1300 369 273
www.enware.com

Enware Australia Pty Limited
9 Endeavour Rd Caringbah NSW 2229 Australia
Ph: +61 2 8556 4000 Fax: +61 2 8556 4055

ENWARE
installing confidence