

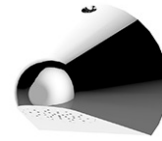
Detention Recess Shower Set with DET660 Shower

Enware's water efficient Detention tapware series have been designed to provide a high level of security with the inclusion of vandal resistant features such as smooth clean chrome plated finish, which eliminates horizontal surfaces.

DET354

FEATURES

- High quality dezincification resistant (DR) brass construction
- Anti-rotation pin incorporated to inhibit tampering
- Chrome plated finish
- Anti-ligature design
- The DET608 conical handle utilises a ceramic disc quarter turn valve
- Identification buttons available in Cold, Warm or Hot to suit application



Product Codes

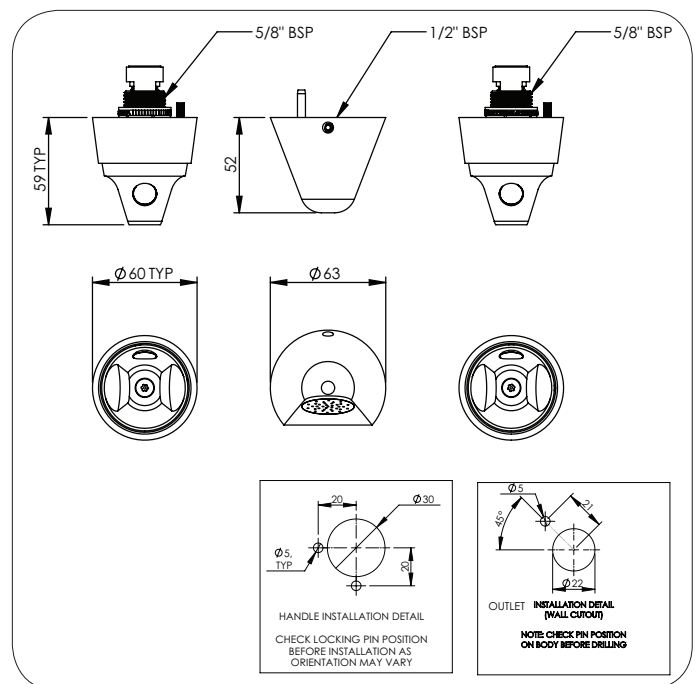
DET354 DET608/DET660 Detention Recess Shower Set 8 Lpm Wall Mounted



Technical Information

Inlet Connection	1/2" BSP
Maximum Static Pressure	1000 kPa
To Achieve 3 Star WELS	350 - 500 kPa
Recommended Pressure	200 - 500 kPa max (PCA)*
Flow Rate	7.6 l/minute *(3 Star WELS)
Operating Temperature Range	10 - 70°C

*Enware products are to be installed in accordance with the Plumbing Code of Australia (PCA) and AS/NZS3500. Installations not complying with PCA and AS/NZS 3500 may void the product and performance warranty provisions.
 All heated water installations for sanitary fixtures used primarily for personal hygiene purposes shall deliver heated water at a temperature not exceeding:
 a) 45°C for healthcare and aged care buildings, early childhood centres, primary and secondary schools and nursing homes, or similar facilities for the aged, the sick, children, or people with disabilities; and
 b) 50°C for all other situations (Laundries and kitchen sinks are not required to have heated water at a maximum of 50°C)



Version: Jun16

Call 1300 369 273
www.enware.com.au

Enware Australia Pty Limited
 9 Endeavour Rd Caringbah NSW 2229 Australia
 Ph: 02 8536 4000 Fax: 02 8556 4055

ENWARE
 installing confidence