

The Custodian® Basin or Shower Single Control Panel

Providing Safety and Security With Enhanced Comfort and Care

The Custodian® offers individual control and enhanced comfort while maintaining maximum safety and security.

The Custodian® Range is the complete secure bathroom solution designed to improve the rehabilitative process.

FEATURES

- Smooth and attractive design with pictogram etchings
- Robust and secure, impact resistant, designed to exceed IK10 requirements
- Exceeds Anti-Ligature requirements of TS001:2013 *
- Suitable for a wide variety of construction methods, designed to reduce installation time and improve space efficiency in duct risers
- Easy to install with IP68 Rated cable connections
- Light feedback provides run time indication every minute for showering as well as flow ending indication
- The Control Panel is connected to the Smartboard and the Smartflow Management system, providing real-time monitoring and setting of run-times, lockouts, hygiene flushing and temperature settings. System reporting of all functions is provided through the Smartflow Water Management system.

* It is recommended that approved anti-pick sealant be used around panel edges

Product Codes

CNMIXBT-SD	Standard Duct Installation
CNMIXBT-FF	Recessed Mount In Wall, Front Fixed
CNMIXBT-FP	Recessed Mount In Fixture, Front Fixed

Complete installation will require the following:

- **WMSSB-000** Custodian® Smartboard, or
- **WMSSB-001** Custodian® Smartboard with Solenoids
- **WMS8004** Single Cell Cable Package
- Connection to Smartflow Water Management System



Available for Duct Installation, Front Fixing, Fixture Mount and Recessed installation.



Technical Information

Facia Plate Material Grade	316 Stainless Steel
Run Time, Temperature Range, Function (Piezo Button, Temperature Adjustment Wheel)	Controlled by Custodian Smart Board and Smartflow Water Management System
Operating Voltage	12V
IP Rating - TLI wheel (Temperature control wheel and activation button)	IP 68

NOTE: Enware Australia advises: 1. Due to ongoing Research and Development, specifications may change without notice. 2. Component specifications may change on some export models.

Version: Jul 20

Call 1300 369 273
www.enware.com.au

Enware Australia Pty Limited
9 Endeavour Rd Caringbah NSW 2229 Australia
Ph: 02 8536 4000 info@enware.com.au

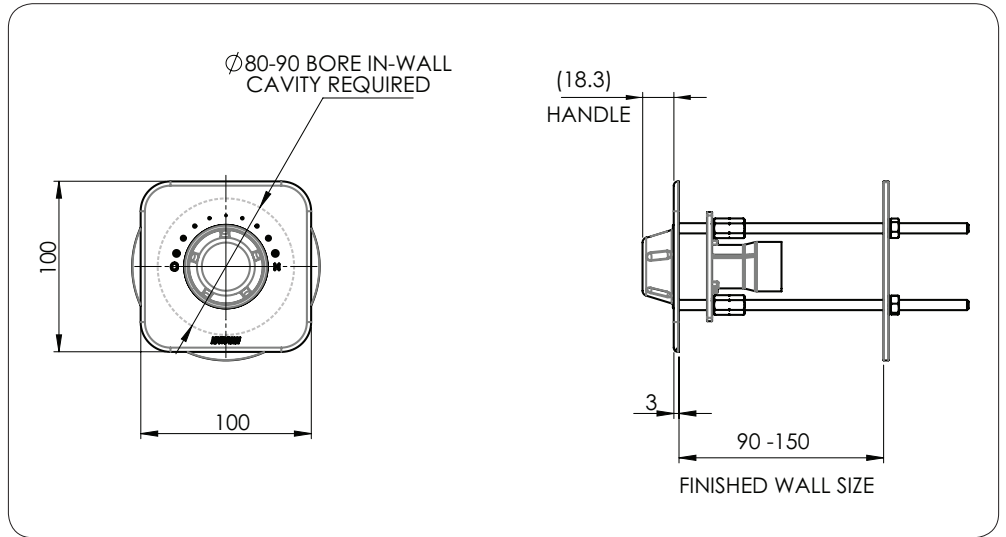


The Custodian® Basin or Shower Single Control Panel



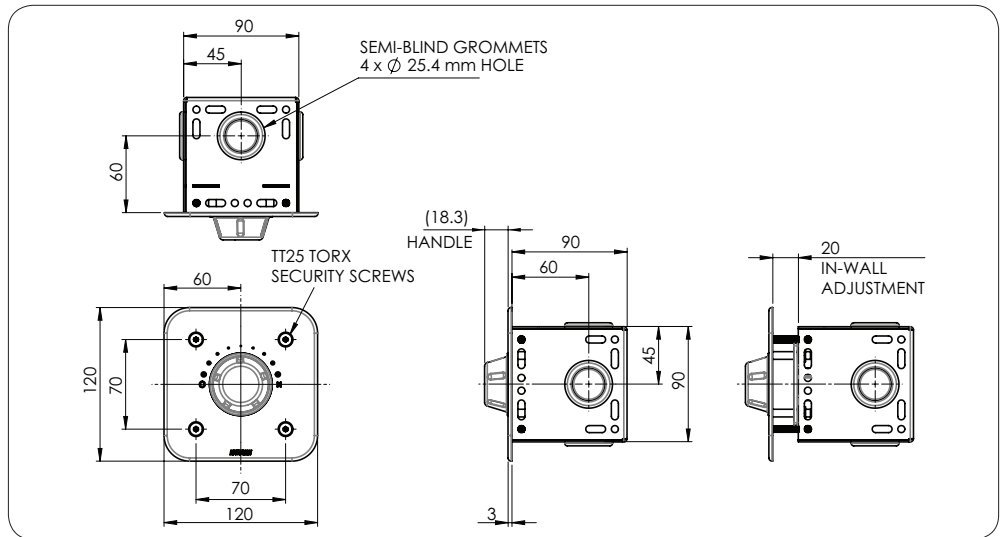
CNMIXBT-SD

Standard Duct Installation



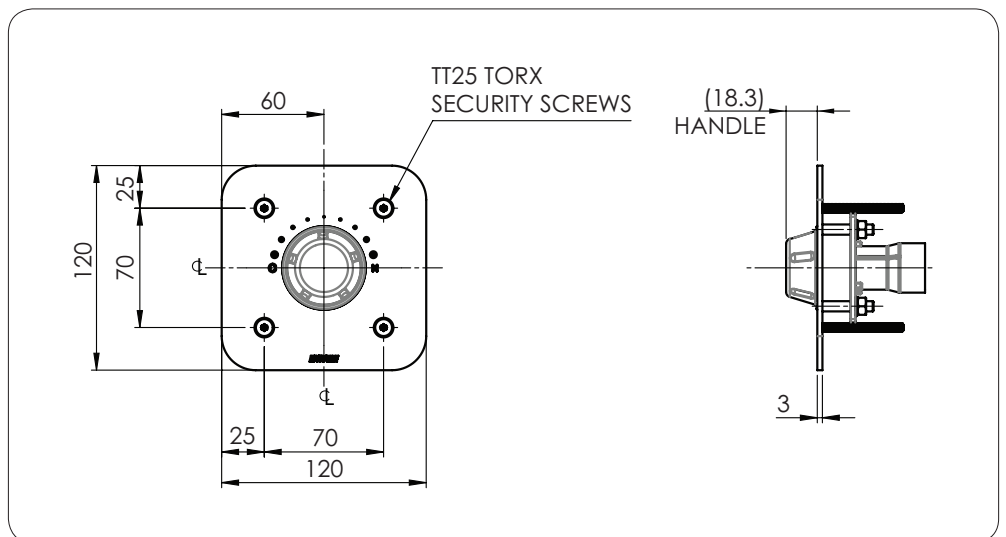
CNMIXBT-FF

Recessed Mount In Wall
Front Fixed



CNMIXBT-FP

Recessed Mount In Fixture
Front Fixed



Version: Jul 20

Call 1300 369 273
www.enware.com.au

Enware Australia Pty Limited
9 Endeavour Rd Caringbah NSW 2229 Australia
Ph: 02 8536 4000 info@enware.com.au

