

Bubbler Basin / Sink Top Assembly

BUB391

Designed to suit basin bodies conforming to AS1718, this product eliminates the need to manually shut off the tap, by closing immediately the action is released. The user must hold the tap on to maintain water flow. The product should only be used with pre - mixed (thermostatically) warm water to the hot tap. There can be no control over mixed water temperature as is normally achieved in a standard mixing tap, as the spring action mechanism is either fully on or off.

FEATURES

- Vandal resistant design
- Self-closing mechanism
- DR Brass construction

Product Codes

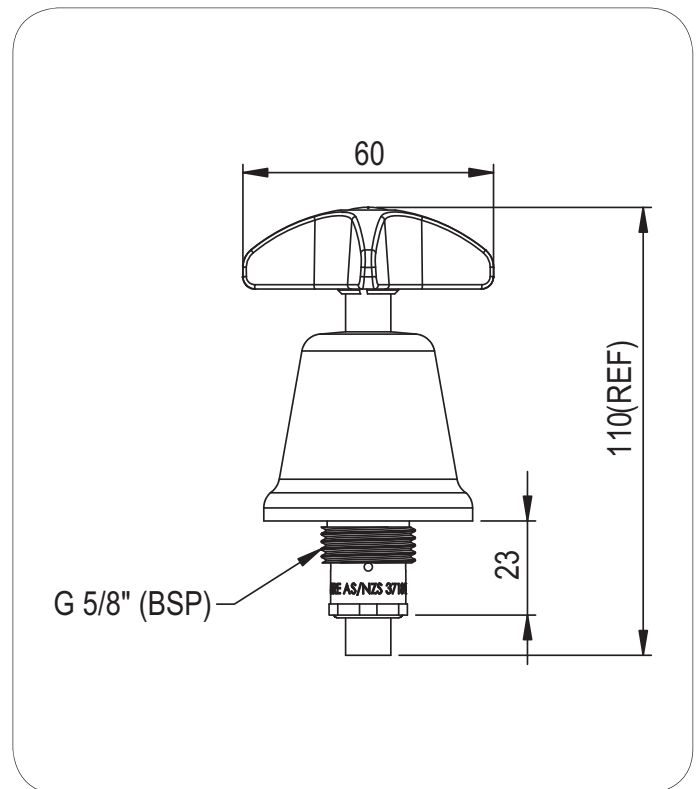
BUB391 Cam Handle



Technical Information

Inlet Connection	15 mm (1/2") BSP
Working Pressure Range	30 - 1200 kPa
Recommended Pressure	100 - 500 kPa
Flow Rate	Supplied standard 8 l/minute with Enware Outlet. Not included under this code.
Operating Temperature Range	0-85°C
Recommended Temperature Range	5-30°C

Enware tapware must be installed in accordance with the provisions of AS/NZS3500 and any relevant local regulations. Installations not complying with AS/NZS3500 may void the product and performance warranty provisions.
The performance of Enware AS/NZS 3718 tapware, in many cases, exceeds the plumbing system design requirements of the Plumbing Code of Australia and AS/NZS 3500.



AS/NZS 3718 WMKA 1583
SAI Global

Version: DEC12

Call 1300 369 273
www.enware.com

Enware Australia Pty Limited
9 Endeavour Rd Caringbah NSW 2229 Australia
Ph: +61 2 8556 4000 Fax: +61 2 8556 4055

