

Foot Operated Stop Tap 45 Degree Female & Female 15mm

Hands free, foot operated tapware is a self-closing spring action mechanism. Constructed from dezincification resistant (DR) brass with a durable chrome plated finish.

Choose from Enware's range of outlets to suit your application and WELS water efficiency requirements.

BUB269

FEATURES

- Vandal resistant design
- Self-closing mechanism
- DR Brass construction



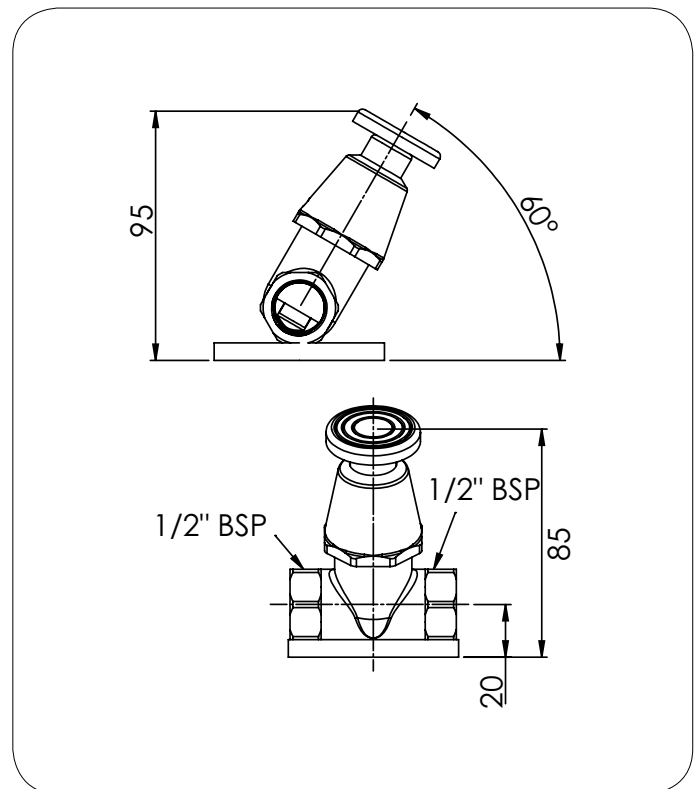
Product Codes

BUB269 Spring Action

Technical Information

Inlet Connection	1/2" BSP Female
Recommended Working Pressure	100- 500 kPa
Maximum Operating Temperature	5-30 °C

Enware tapware must be installed in accordance with the provisions of AS/NZS3500 and any relevant local regulations. Installations not complying with AS/NZS3500 may void the product and performance warranty provisions. The performance of Enware AS/NZS 3718 tapware, in many cases, exceeds the plumbing system design requirements of the Plumbing Code of Australia and AS/NZS 3500.



Version: NOV 15

Call 1300 369 273
www.enware.com

Enware Australia Pty Limited
9 Endeavour Rd Caringbah NSW 2229 Australia
Ph: +61 2 8556 4000 Fax: +61 2 8556 4055


installing confidence