

Spring Action Valve Knee Operated Female & Male 15mm

Hands free, foot operated tapware is a self-closing spring action mechanism. Constructed from dezincification resistant (DR) brass with a durable chrome plated finish.

Choose from Enware's range of outlets to suit your application and WELS water efficiency requirements.

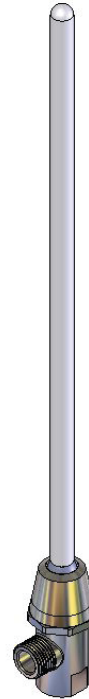
BUB268R

FEATURES

- Vandal resistant design
- Self-closing mechanism
- DR Brass construction
- Integral adjustable flow regulator

Product Codes

BUB268R Right Angle

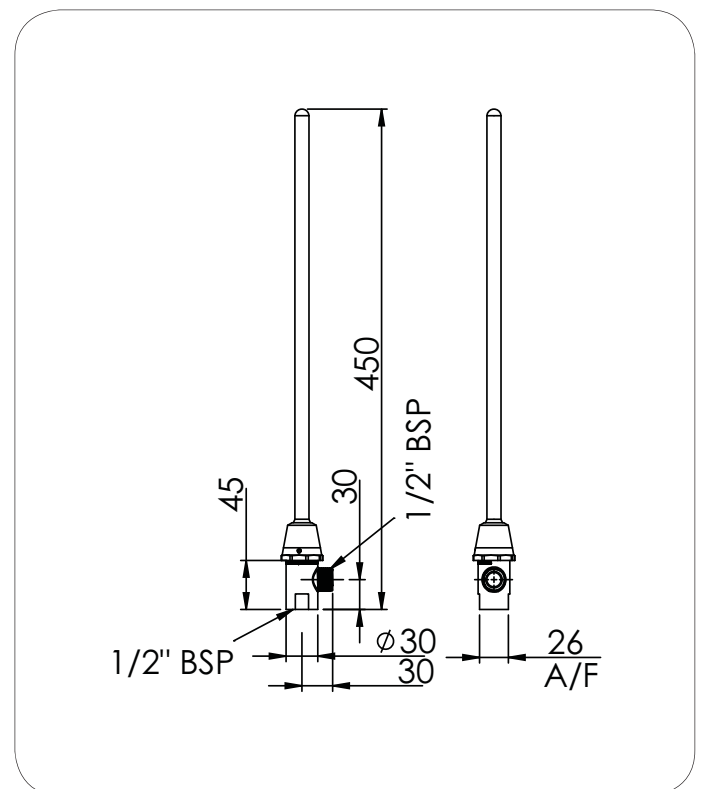


Technical Information

Inlet Connection	15 mm (1/2") BSP
Working Pressure Range	30 - 1200 kPa
Recommended Pressure	100 - 500 kPa
Flow Rate	Supplied standard 8 l/minute with Enware Outlet. Not included under this code.
Operating Temperature Range	0-85°C
Recommended Temperature Range	5-30°C

Enware tapware must be installed in accordance with the provisions of AS/NZS3500 and any relevant local regulations. Installations not complying with AS/NZS3500 may void the product and performance warranty provisions.

The performance of Enware AS/NZS 3718 tapware, in many cases, exceeds the plumbing system design requirements of the Plumbing Code of Australia and AS/NZS 3500.



AS/NZS 3718 C of C 40054
Global-Mark

Version: DEC12

Call 1300 369 273
www.enware.com

Enware Australia Pty Limited
9 Endeavour Rd Caringbah NSW 2229 Australia
Ph: +61 2 8556 4000 Fax: +61 2 8556 4055

 **ENWARE**
AUSTRALIA PTY LIMITED