

Spring Action Top Assembly

BUB263

Designed to replace bib or pillar top assemblies in tapware conforming to AS3718 and Enware bubbler/drinking fountains. This product is not suitable for use in wall/recess applications.

FEATURES

- Vandal resistant design
- Self-closing mechanism
- DR Brass construction

OPTIONS

- Lever Handle - refer to BUB262
- Cam Handle - refer to BUB261



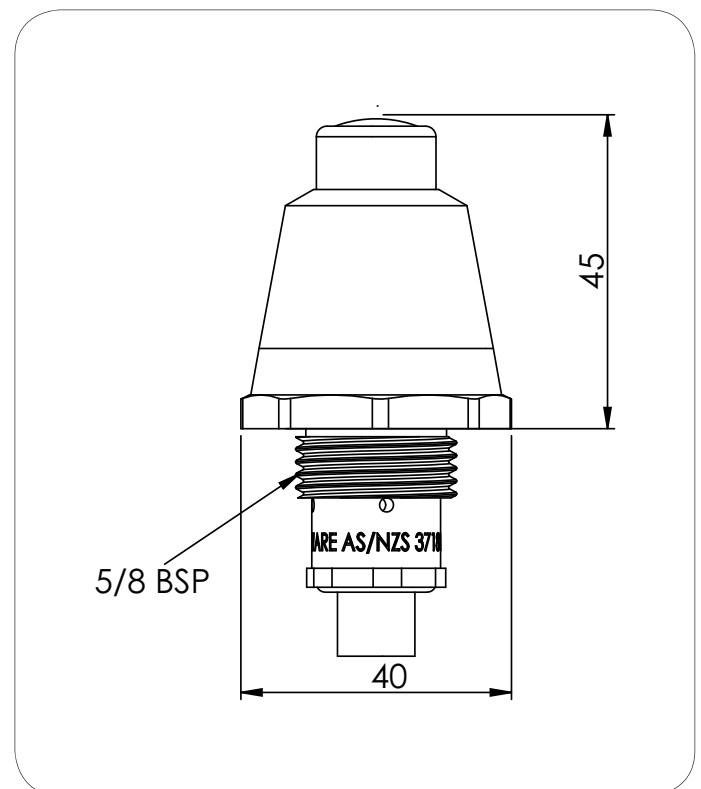
Product Codes

BUB263 Push Button

Technical Information

Inlet Connection	15 mm (1/2") BSP
Working Pressure Range	30 - 1200 kPa
Recommended Pressure	100 - 500 kPa
Flow Rate	Supplied standard 8 l/minute with Enware Outlet. Not included under this code.
Operating Temperature Range	0-85°C
Recommended Temperature Range	5-30°C

Enware tapware must be installed in accordance with the provisions of AS/NZS3500 and any relevant local regulations. Installations not complying with AS/NZS3500 may void the product and performance warranty provisions.
The performance of Enware AS/NZS 3718 tapware, in many cases, exceeds the plumbing system design requirements of the Plumbing Code of Australia and AS/NZS 3500.



Version: DEC12

Call 1300 369 273
www.enware.com

Enware Australia Pty Limited
9 Endeavour Rd Caringbah NSW 2229 Australia
Ph: +61 2 8556 4000 Fax: +61 2 8556 4055

