

# Spring Action Hose Tap 15mm Male

A spring action hose tap for wall mounted applications to provide an outlet with self closing control over water use.

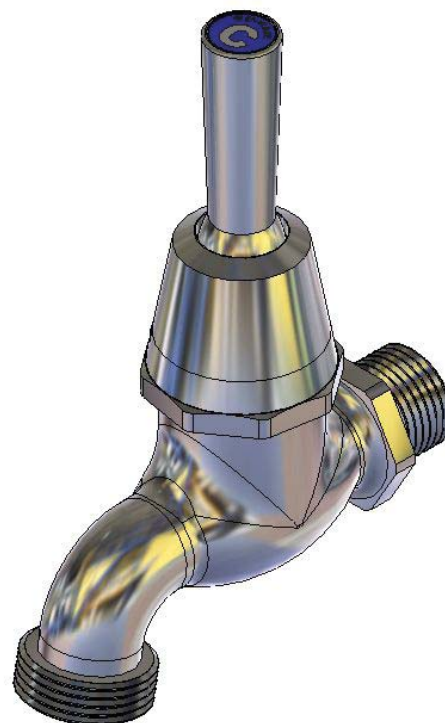
## BUB228L

### FEATURES

- Vandal resistant design
- Self-closing mechanism
- DR Brass construction
- Integral adjustable flow regulator

### OPTIONS

- Push Button- refer to BUB228B
- Cam Handle - refer to BUB228C



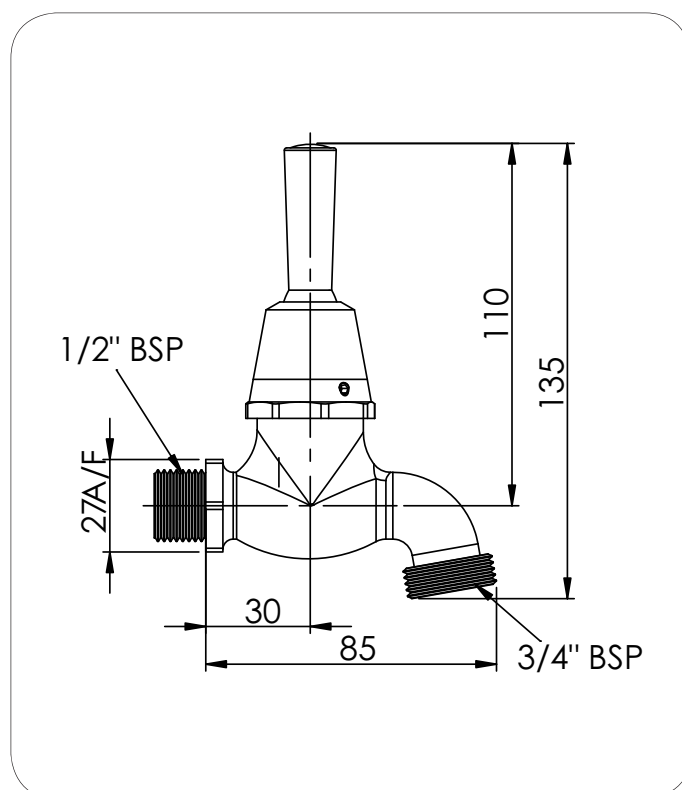
### Product Codes

**BUB228L**      Lever Handle

### Technical Information

Inlet Connection	15 mm (1/2") BSP
Working Pressure Range	30 - 1200 kPa
Recommended Pressure	100 - 500 kPa
Flow Rate	Supplied standard 8 l/minute with Enware Outlet. Not included under this code.
Operating Temperature Range	0-85°C
Recommended Temperature Range	5-30°C

Enware tapware must be installed in accordance with the provisions of AS/NZS3500 and any relevant local regulations. Installations not complying with AS/NZS3500 may void the product and performance warranty provisions.  
The performance of Enware AS/NZS 3718 tapware, in many cases, exceeds the plumbing system design requirements of the Plumbing Code of Australia and AS/NZS 3500.



Version: DEC12

Call 1300 369 273  
[www.enware.com](http://www.enware.com)

Enware Australia Pty Limited  
9 Endeavour Rd Caringbah NSW 2229 Australia  
Ph: +61 2 8556 4000 Fax: +61 2 8556 4055

