

Type 48 Spring Action Pillar Tap 15mm Ablution 4.5 lpm

BUB223L

A spring action pillar tap generally used in basin, sink or trough mounted applications to provide an outlet with self closing control over water use. This product eliminates the need to manually shut off the tap, closing immediately the handle is released. The abluion outlet provides a jet spray helpful in cleaning utensils such as used in clay or painting activities.

FEATURES

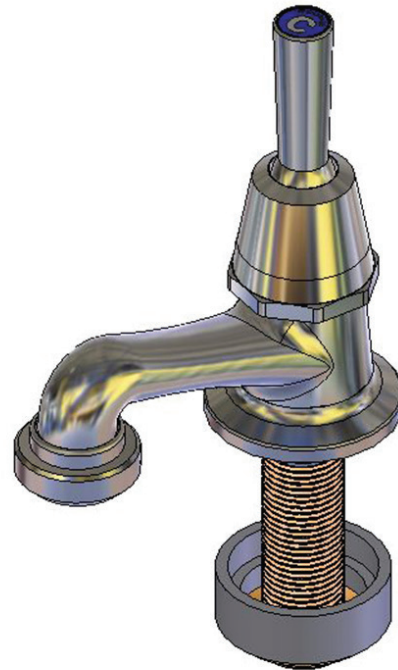
- Vandal resistant design
- Self-closing mechanism
- DR Brass construction
- WELS 6 Star supplied standard.

OPTIONS

- Cam Handle - refer to BUB223C
- Cam Action Pillar Tap Plain 4lpm - refer to BUB223S

Product Codes

BUB223L Lever Handle



Technical Information

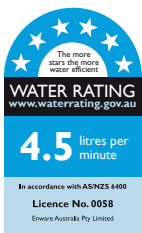
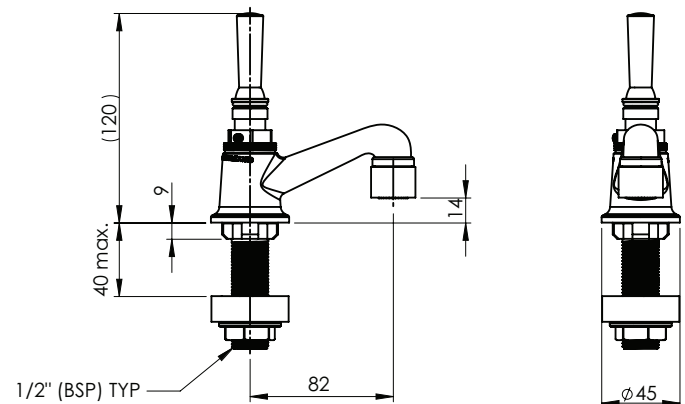
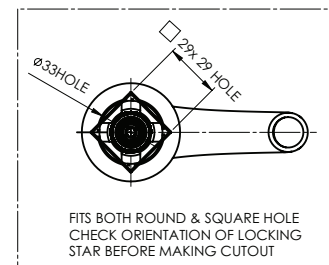
Inlet Connection	1/2" BSP (15mm) Male
Recommended Working Pressure	100 - 500 kPa
Working Pressure Range *	30 - 1200 kPa
Flow Rate	Regulated Max. 4.5 lpm
Recommended Operating Temperature Range	0°C - 45°C
Operating Temperature Range	0°C - 85°C *

* Enware products are to be installed in accordance with the Plumbing Code of Australia and AS/NZS3500.

Reference should also be made to the Australasian Health facility Guidelines (AHFG), ABCB and Local Government regulations when considering the choice of, and the installation of these products.

NOTE: Enware Australia advises: 1. Due to ongoing Research and Development, specifications may change without notice. 2. Component specifications may change on some export models.

INSTALLATION DETAIL



Version: DEC12

Call 1300 369 273
www.enware.com.au

Enware Australia Pty Limited
9 Endeavour Rd Caringbah NSW 2229 Australia
Ph: 02 8536 4000 info@enware.com.au

