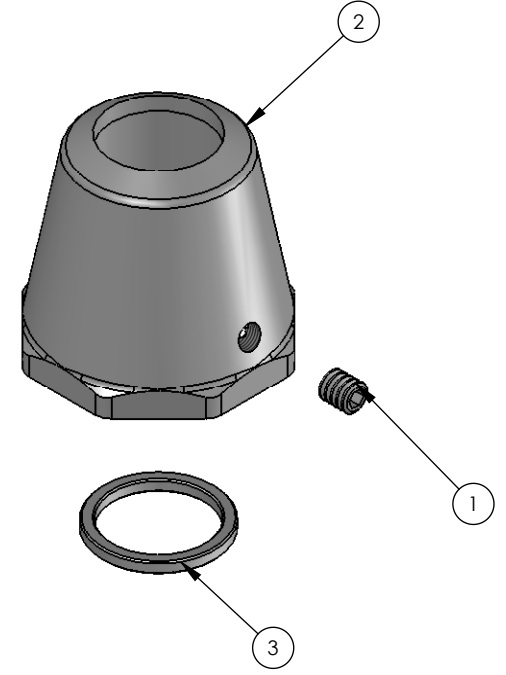
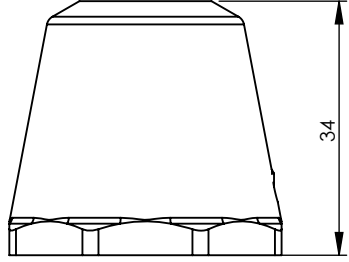
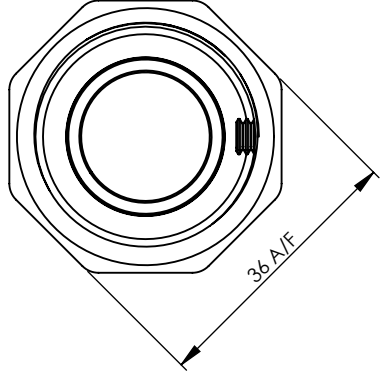


ITEM NO.	PART NUMBER	DESCRIPTION	QTY.
1	672455	SCREW SOC. GRUB 10-24 UNC X 3/16 S/S 304	1
2	880151	DOME-LEVER (BUBBLER)	1
3	693494	SPACER - BUBBLER	1

Ⓑ



REV	DATE	CN	AMMENDMENTS	MODIFIED BY
A	10/10/06		FIRST ISSUE	
B	03/11/08		693494 ADDED Ⓑ	SM

**GENERAL NOTES:**  
 REMOVE ALL BURRS AND SHARP EDGES UNLESS OTHERWISE STATED  
 DIMENSIONS ARE IN mm's

**TOLERANCE EXCEPT WHERE STATED:**

NO DECIMAL POINT	± 0.2
ONE DECIMAL PLACE	± 0.1
TWO DECIMAL PLACES	± 0.05
ANGLES	± 1

**ENWARE RESERVES THE RIGHT TO AMEND PRODUCT SPECIFICATIONS AND DESIGNS WITHOUT NOTICE.**

DRAWN	KN	9 Endeavour Rd, Caringbah, NSW, 2229	
CHECKED		Ph. 61-2-9525-9511	
APPROVED		Fax. 61-2-9524-8421	
TITLE: <b>BUBBLER DOME LVR BTN FT</b>			
Scale: Not To Scale		Scale: Not To Scale	
MATERIAL:			
FINISH:			
This drawing is the Copyright of Enware Australia Pty Ltd and may not be reproduced in full or part without the written consent of Enware Australia Pty Ltd			DWG NO. <b>BUB221L</b> SHEET 1 OF 1