

Type 48 Spring Action Pillar Tap 15mm

Enware's Australian-made self-closing drinking fountains and bubblers are constructed from dezincification resistant (DR) brass and are WaterMark Licensed to AS/NZS 3718.

BUB209C

The unique valve design provides an effective, low maintenance mechanism for a range of flow conditions. The tapware is serviceable with all wearing components replaceable, thus providing a longer life.

FEATURES

- Vandal resistant design
- Durable chrome plated finish
- Self-closing mechanism
- DR Brass construction
- WELS 4 Star supplied standard

OPTIONS

- Button Action - refer to BUB209B
- Lever Action - refer to BUB209L



Product Codes

BUB209C Cam Action

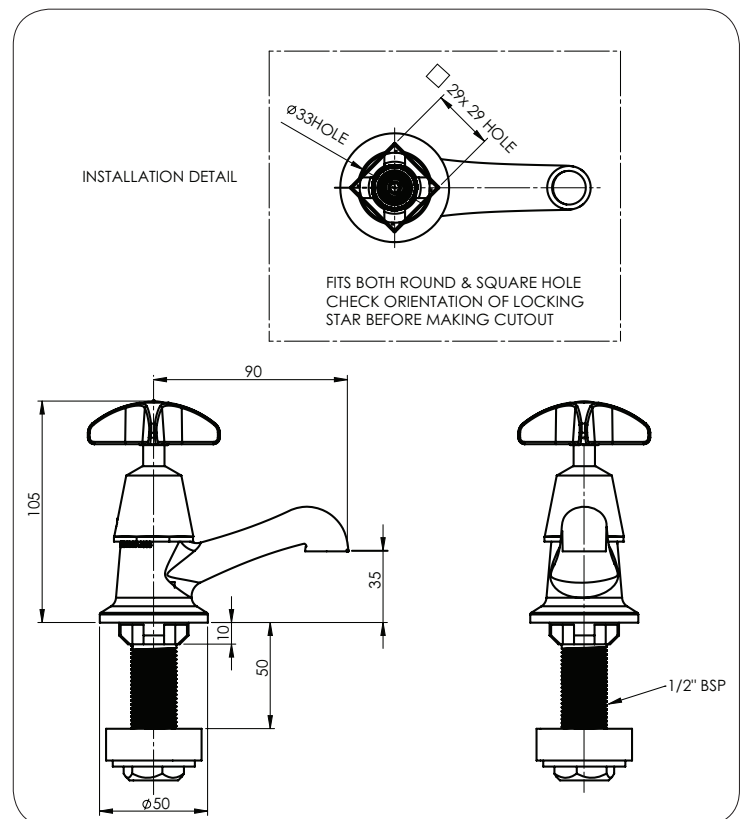
Technical Information

Inlet Connection	1/2" BSP (15mm) Male
Recommended Working Pressure	100 - 500 kPa
Working Pressure Range *	30 - 1200 kPa
Flow Rate	Regulated Max. 8 lpm
Recommended Operating Temperature Range	0°C - 45°C
Operating Temperature Range	0°C - 85°C *

* Enware products are to be installed in accordance with the Plumbing Code of Australia and AS/NZS3500.

Reference should also be made to the Australasian Health facility Guidelines (AHFG), ABCB and Local Government regulations when considering the choice of, and the installation of these products.

NOTE: Enware Australia advises: 1. Due to ongoing Research and Development, specifications may change without notice. 2. Component specifications may change on some export models.



Version: Jun20

Call 1300 369 273
www.enware.com.au

Enware Australia Pty Limited
9 Endeavour Rd Caringbah NSW 2229 Australia
Ph: 02 8536 4000 info@enware.com.au

