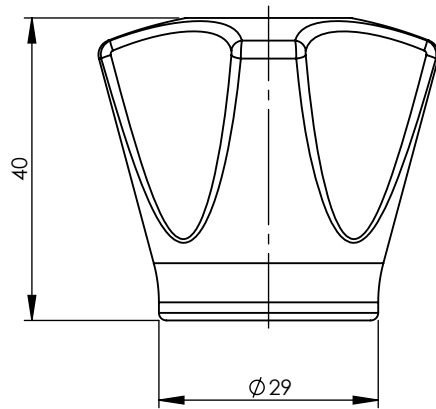
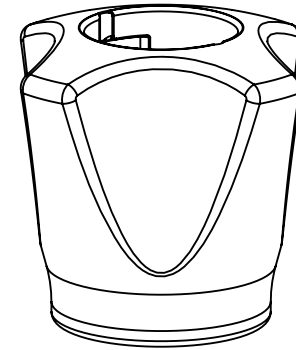
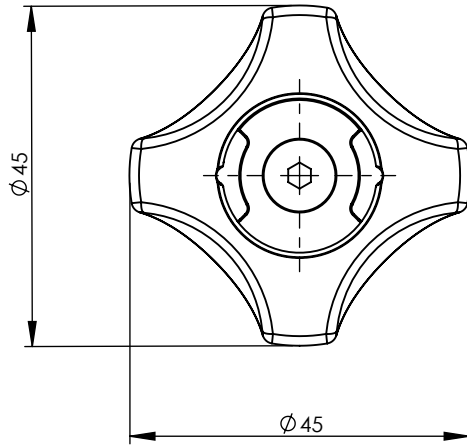


A

B

C

D



GENERAL NOTES:

- DIMENSIONS ARE IN mm's
- DO NOT SCALE OFF DIMENSIONS
- TAPWARE TOLERANCE / 2 (EXCEPT WHERE STATED)
- SAFETY SANITARY AND CARE TOLERANCE / 5 (EXCEPT WHERE STATED)

This drawing is the property of Enware Australia Pty Ltd and may not be reproduced in full or part without the written consent of Enware Australia.

DRAWN	TD
CHECKED	RA
APPROVED	AK



9 Endeavour Rd, Caringbah, NSW, 2229
Ph. +61 2 8536 4000
Email: info@enware.com.au

DRAWING NUMBER: LCN191-GREEN		REV: A.0
DESCRIPTION: GREEN HANDLE ONLY TO SUIT LCN		
FINISH: POWDERCOATED GREEN	SIZE: A4	SCALE: 1:1

A

B

C

D

1

1

2

2

3

3

4

4