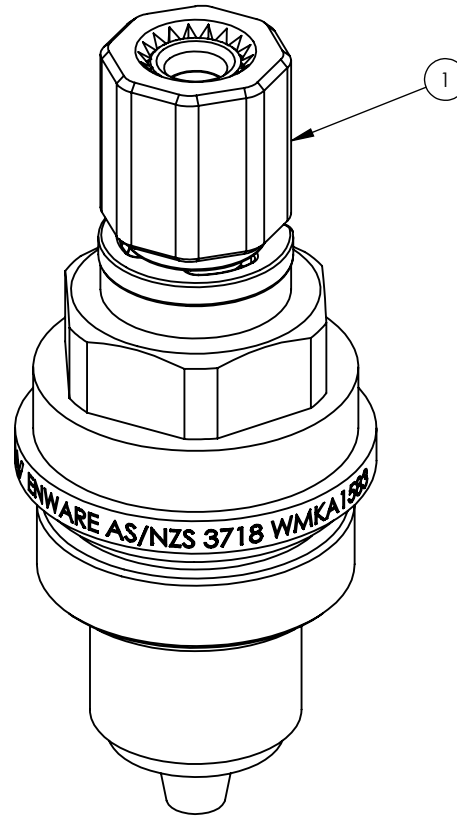


ITEM NO.	PART NUMBER	DESCRIPTION	QTY.
1	891418	NEEDLE SBA 1/2IN BSP VITON SLIM	1



REV	DATE	CN	AMMENDMENTS	MODIFIED BY
A	11/4/12		FIRST ISSUE	

GENERAL NOTES:
 REMOVE ALL BURRS AND SHARP EDGES UNLESS OTHERWISE STATED
 DIMENSIONS ARE IN mm's

TOLERANCE EXCEPT WHERE STATED:

NO DECIMAL POINT	∕ 0.2
ONE DECIMAL PLACE	∕ 0.1
TWO DECIMAL PLACES	∕ 0.05
ANGLES	∕ 1

DRAWN	AC	9 Endeavour Rd,
CHECKED	-	Caringbah, NSW, 2229
APPROVED	-	Ph. 61-2-9525-9511
		Fax. 61-2-9524-8421



TITLE: **NEEDLE VALVE SBA TO SUIT LCN**

Scale: Not To Scale

MATERIAL:
FINISH:

This drawing is the Copyright of Enware Australia Pty Ltd and may not be reproduced in full or part without the written consent of Enware Australia Pty Ltd

DWG NO.

LCN184

SHEET 1 OF 1