

A

B

C

D

1/2" BSP FEMALE

5/8" BSP

( 115 RECESSED )

1 TO -14 RECESS

275

( 220 )

( 538 )

( 185 )

Ø 63

( 155 max. )

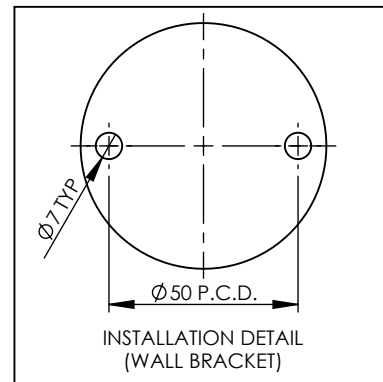
( 75 )

250

Ø 70

Ø 57

( 85 )



**NOTES:-**

1. SPRAY GUN POSITION DIMENSIONS ARE APPROXIMATE AND REPRESENT A BRAND NEW UNIT.
2. SPRING WILL SAG WITH USE OVER TIME.



ENWARE RESERVES THE RIGHT TO AMMEND PRODUCT SPECIFICATIONS AND DESIGNS WITHOUT NOTICE

**GENERAL NOTES:**

- DIMENSIONS ARE IN mm's
- DO NOT SCALE OFF DIMENSIONS
- TAPWARE TOLERANCE / 2 (EXCEPT WHERE STATED )
- SAFETY SANITARY AND CARE TOLERANCE / 5 (EXCEPT WHERE STATED )

This drawing is the property of Enware Australia Pty Ltd and may not be reproduced in full or part without the written consent of Enware Australia.

DRAWN	RA
CHECKED	AK
APPROVED	LR



9 Endeavour Rd, Caringbah, NSW, 2229  
Ph. +61 2 8536 4000  
Email: info@enware.com.au

DRAWING NUMBER: FWS121W	REV: G.0
DESCRIPTION: WALL CON/MIX W/POT FILLER WOOL	
FINISH: CHROME PLATED	SIZE: A4 SCALE: 1:7

A

B

C

D