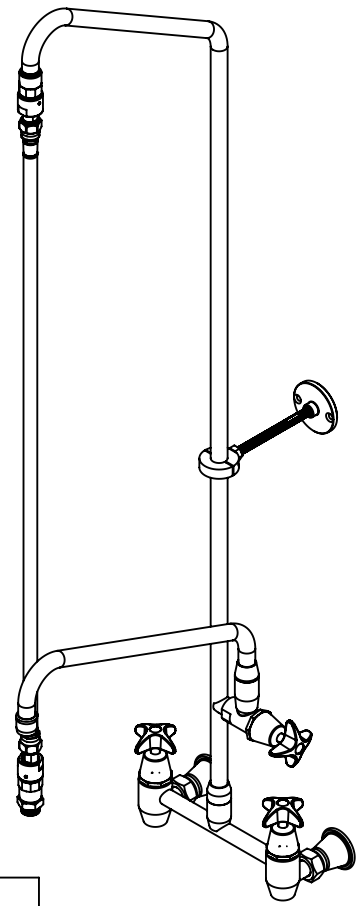
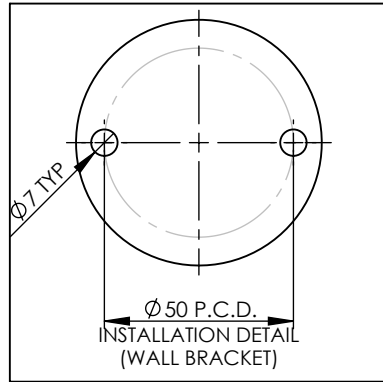
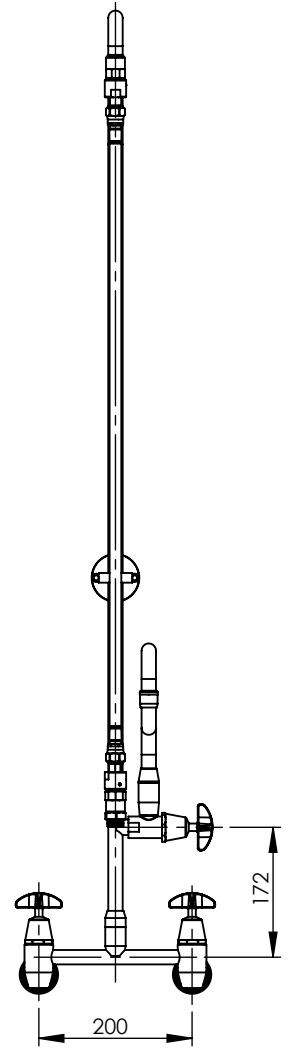
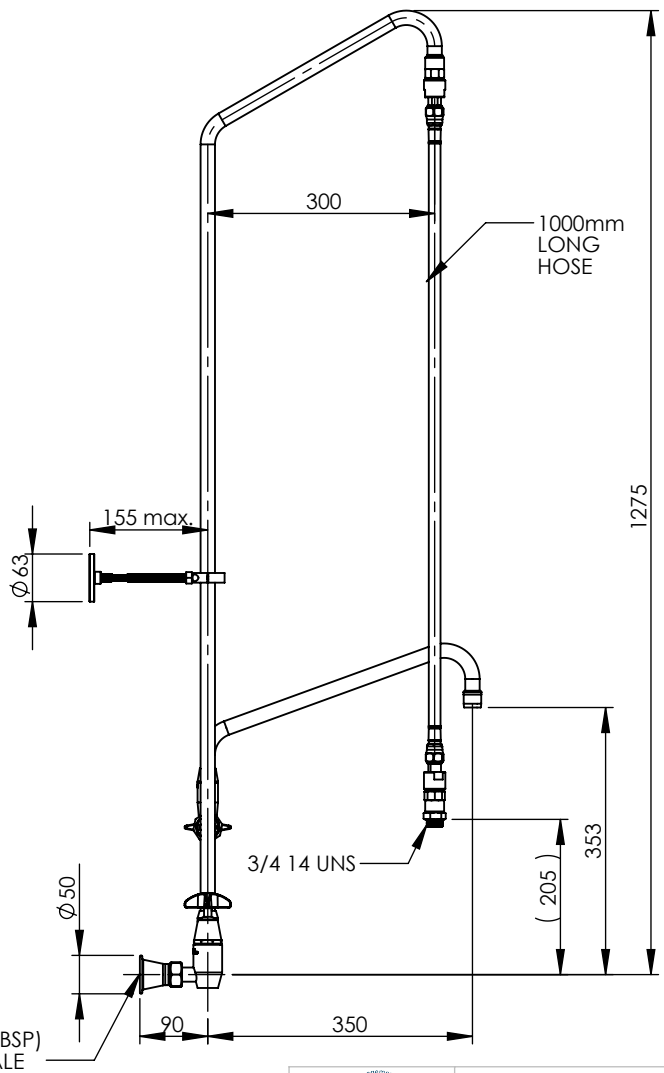
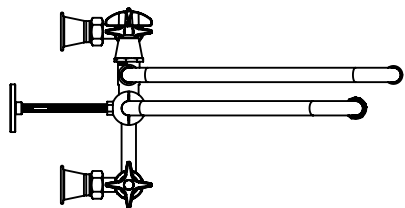


A

B

C

D



ENWARE RESERVES THE RIGHT TO AMMEND PRODUCT SPECIFICATIONS AND DESIGNS WITHOUT NOTICE

GENERAL NOTES:
 - DIMENSIONS ARE IN mm's
 - DO NOT SCALE OFF DIMENSIONS
 - TAPWARE TOLERANCE / 2 (EXCEPT WHERE STATED)
 - SAFETY SANITARY AND CARE TOLERANCE / 5 (EXCEPT WHERE STATED)

This drawing is the property of Enware Australia Pty Ltd and may not be reproduced in full or part without the written consent of Enware Australia.

| | |
|----------|----|
| DRAWN | KN |
| CHECKED | RA |
| APPROVED | AK |



9 Endeavour Rd, Caringbah, NSW, 2229
 Ph. +61 2 8536 4000
 Email: info@enware.com.au

| | |
|---|----------------------|
| DRAWING NUMBER: FSJ705 | REV: D.0 |
| DESCRIPTION: MIXING SET WITH J/VALVE - NO GUN | |
| FINISH: CHROME PLATED | SIZE: A4 SCALE: 1:10 |

A

B

C

D

1

2

3

4

1

2

3

4