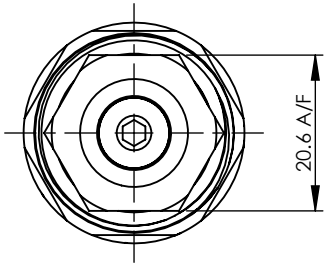


A

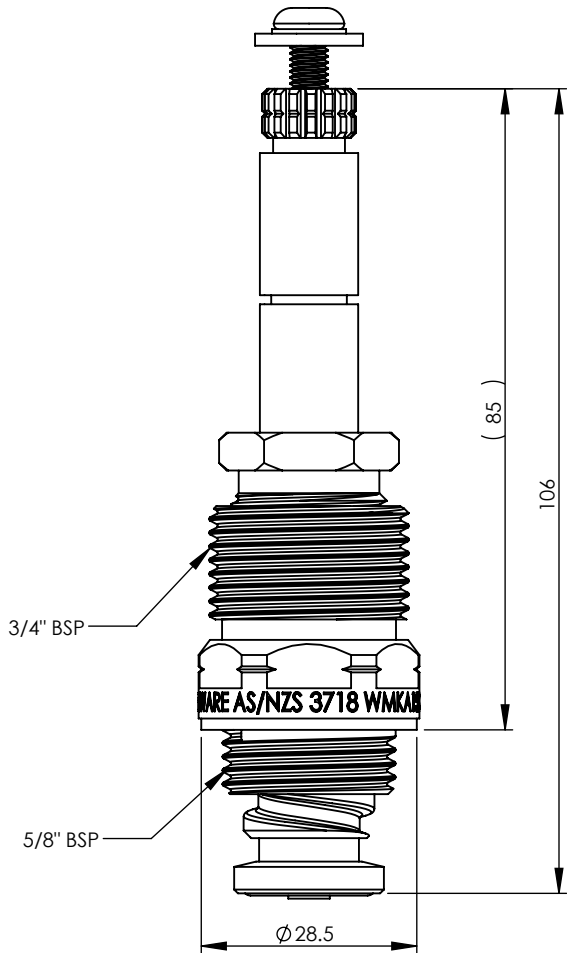
B

C

D



20.6 A/F

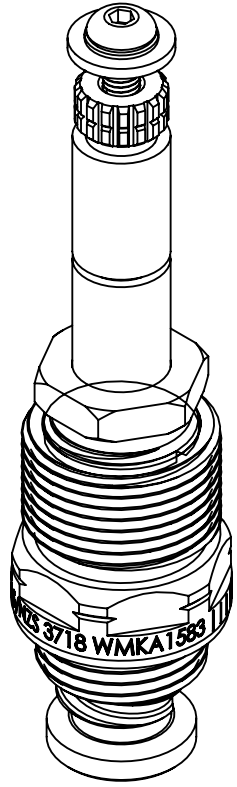


3/4" BSP

5/8" BSP

ENWARE AS/NZS 3718 WMKA

Ø 28.5



**GENERAL NOTES:**  
 - DIMENSIONS ARE IN mm's  
 - DO NOT SCALE OFF DIMENSIONS  
 - TAPWARE TOLERANCE  $\pm 0.2$  (EXCEPT WHERE STATED )  
 - SAFETY SANITARY AND CARE TOLERANCE  $\pm 0.5$  (EXCEPT WHERE STATED )

This drawing is the property of Enware Australia Pty Ltd and may not be reproduced in full or part without the written consent of Enware Australia.

DRAWN	KN
CHECKED	CL
APPROVED	LR



9 Endeavour Rd, Caringbah, NSW, 2229 Ph. +61 2 8536 4000 Fax. +61 2 8556 4055

DRAWING NUMBER: <b>FSJ395</b>		REV <b>B.00</b>
TITLE: <b>EXPO JHS J/VALVE RECESS SBA COLD</b>		
FINISH:	SIZE: A4	SCALE: 1:1

A

B

C

D

1

2

3

4

1

2

3

4