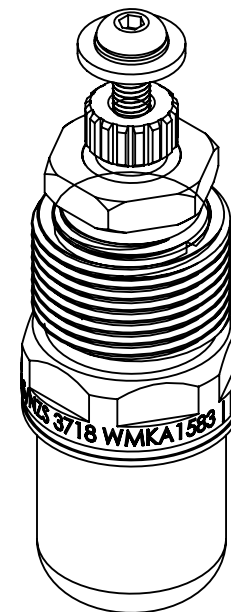
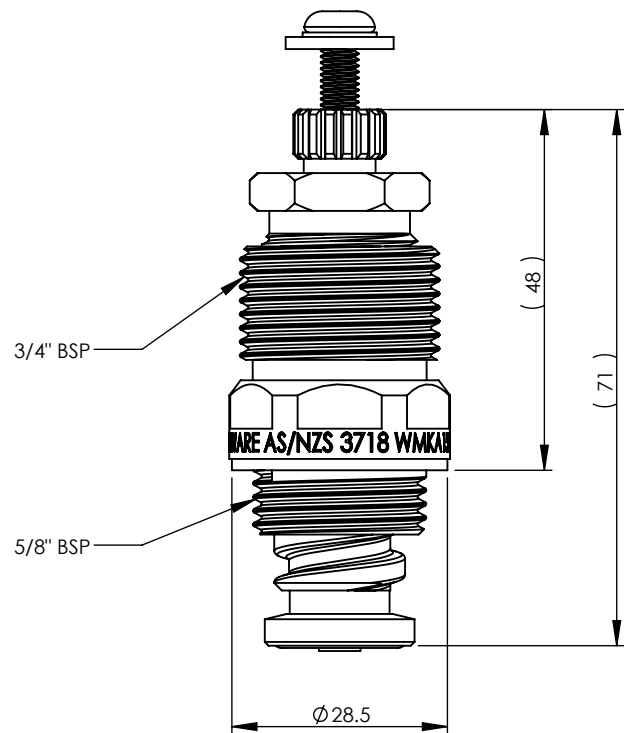
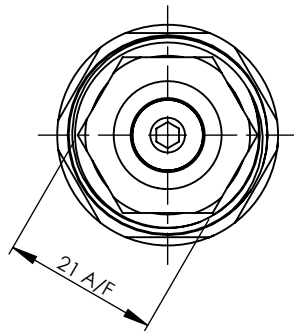


A

B

C

D



Quality Endorsed Company
 AS/NZS ISO 9001
 LIC No. 1213
 Standards Australia
 ENWARE RESERVES THE RIGHT TO AMMEND PRODUCT SPECIFICATIONS AND DESIGNS WITHOUT NOTICE

GENERAL NOTES:
 - DIMENSIONS ARE IN mm's
 - DO NOT SCALE OFF DIMENSIONS
 - TAPWARE TOLERANCE ± 0.2 (EXCEPT WHERE STATED)
 - SAFETY SANITARY AND CARE TOLERANCE ± 0.5 (EXCEPT WHERE STATED)

This drawing is the property of Enware Australia Pty Ltd and may not be reproduced in full or part without the written consent of Enware Australia.

| | |
|----------|----|
| DRAWN | KN |
| CHECKED | CL |
| APPROVED | LR |

ENWARE
 9 Endeavour Rd,
 Caringbah, NSW, 2229
 Ph. +61 2 8536 4000
 Fax. +61 2 8556 4055

| | | |
|--|----------|-----------------|
| DRAWING NUMBER: FSJ381 | | REV B.00 |
| TITLE: JHS 1/4 TURN J/VALVE SBA - POT FILLER | | |
| FINISH: | SIZE: A4 | SCALE: 1:1 |

A

B

C

D

1

1

2

2

3

3

4

4