

A

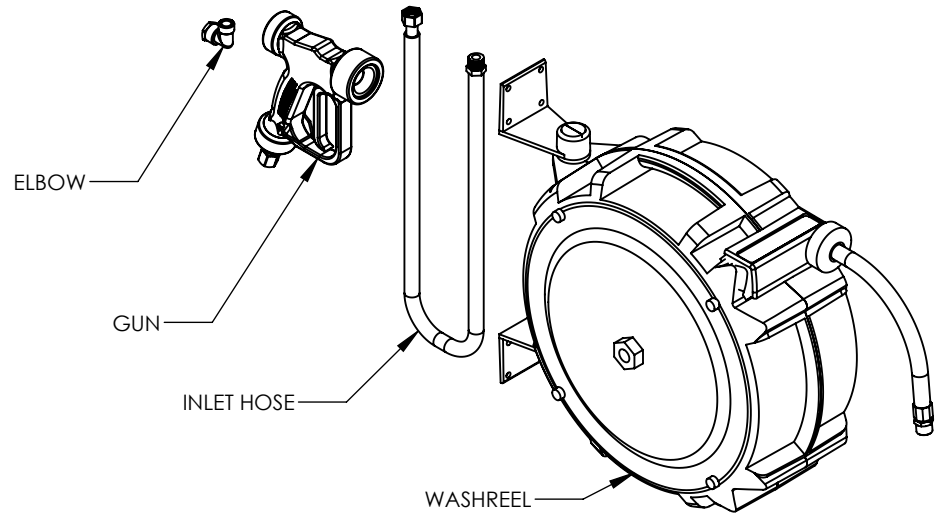
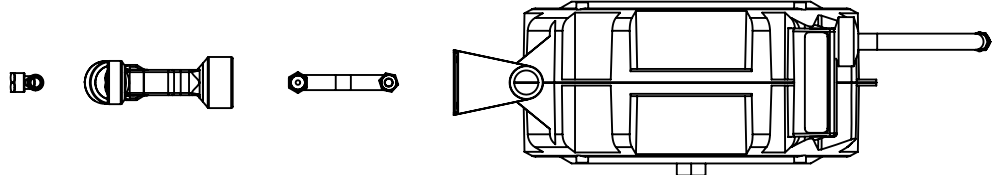
B

C

D

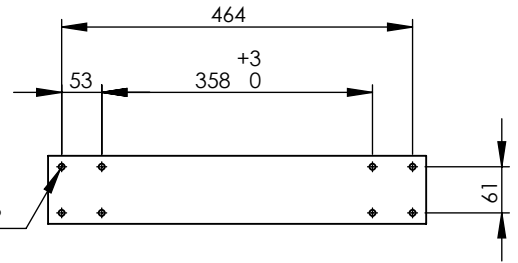
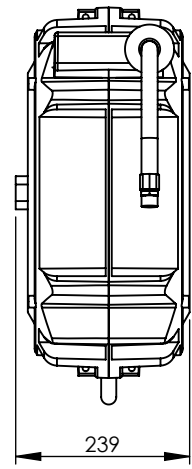
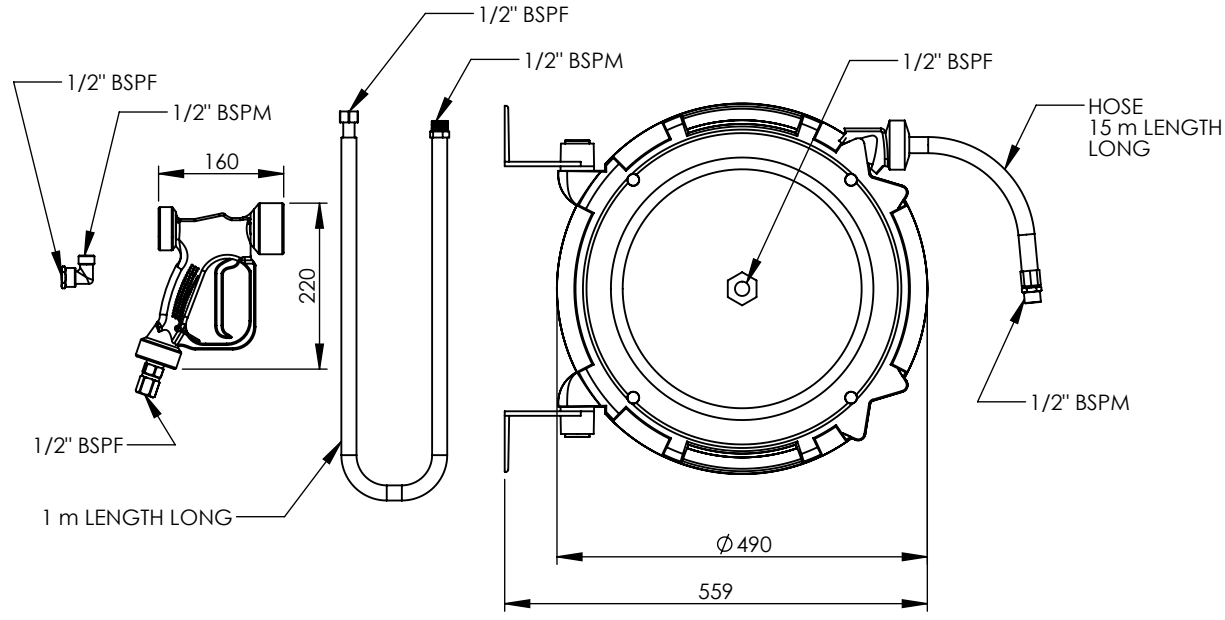
1

1



2

2



3

3

4

4



GENERAL NOTES:
 - DIMENSIONS ARE IN mm's
 - DO NOT SCALE OFF DIMENSIONS
 - TAPWARE TOLERANCE / 2 (EXCEPT WHERE STATED)
 - SAFETY SANITARY AND CARE TOLERANCE / 5 (EXCEPT WHERE STATED)

This drawing is the property of Enware Australia Pty Ltd and may not be reproduced in full or part without the written consent of Enware Australia.

DRAWN	SM
CHECKED	CL
APPROVED	LR



DRAWING NUMBER	FS728	REV	C.0
DESCRIPTION	WASH RET/HOSE REEL & GUNNA GUN		
FINISH:	SIZE: A4	SCALE: 1:10	

A

B

C

D