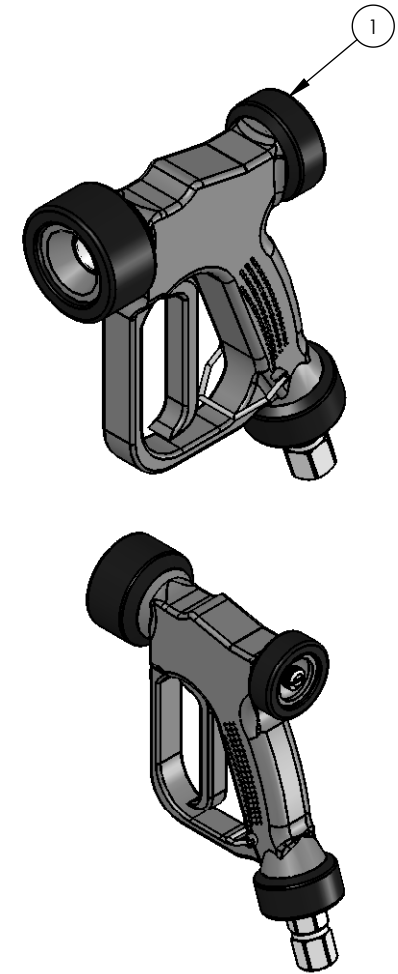
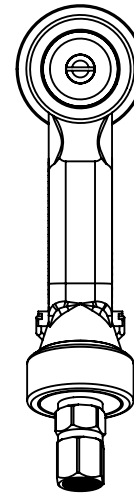
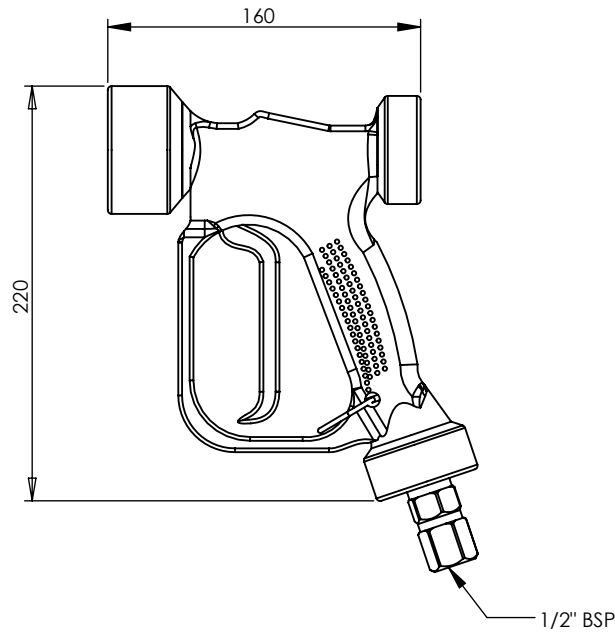
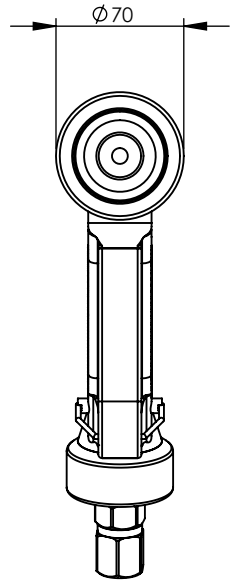


ITEM NO.	PART NUMBER	DESCRIPTION	QTY.
1	672203	GUNNA GUN	1



REV	DATE	CN	AMMENDMENTS	MODIFIED BY
A	17/08/06		FIRST ISSUE	
B	16/09/09		NEW DESIGN	SM

**GENERAL NOTES:**  
 REMOVE ALL BURRS AND SHARP EDGES UNLESS OTHERWISE STATED  
 DIMENSIONS ARE IN mm's

**TOLERANCE EXCEPT WHERE STATED:**

NO DECIMAL POINT	± 0.2
ONE DECIMAL PLACE	± 0.1
TWO DECIMAL PLACES	± 0.05
ANGLES	± 1

ENWARE RESERVES THE RIGHT TO AMEND PRODUCT SPECIFICATIONS AND DESIGNS WITHOUT NOTICE.

DRAWN	AC	9 Endeavour Rd, Caringbah, NSW, 2229 Ph. 61-2-9525-9511 Fax. 61-2-9524-8421		
CHECKED				
APPROVED				
TITLE: <b>WASHDOWN ADJUSTABLE SPRAY 15MM FI</b>				
Scale: Not To Scale			Scale: Not To Scale	
MATERIAL:				
FINISH:				
This drawing is the Copyright of Enware Australia Pty Ltd and may not be reproduced in full or part without the written consent of Enware Australia Pty Ltd			DWG NO. <b>FS722</b>	SHEET 1 OF 1