

A

B

C

D

1

1

2

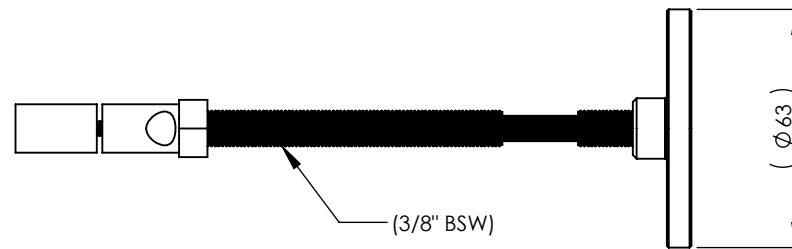
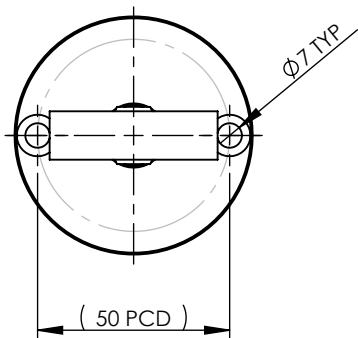
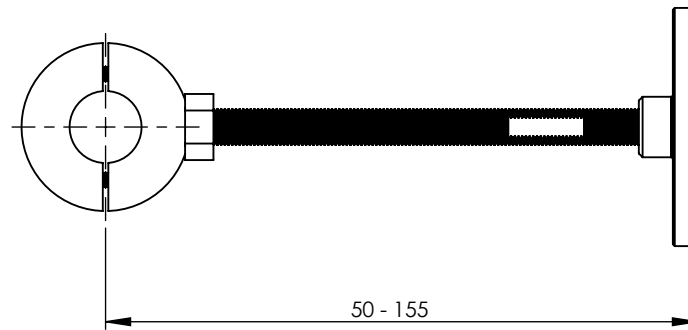
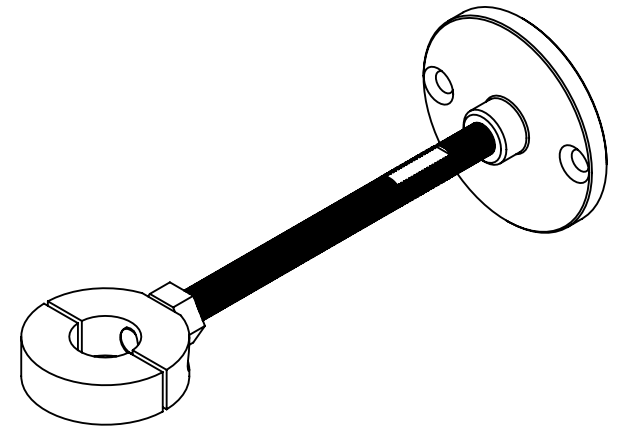
2

3

3

4

4



GENERAL NOTES:

- DIMENSIONS ARE IN mm's
- DO NOT SCALE OFF DIMENSIONS
- TAPWARE TOLERANCE / 2 (EXCEPT WHERE STATED)
- SAFETY SANITARY AND CARE TOLERANCE / 5 (EXCEPT WHERE STATED)

This drawing is the property of Enware Australia Pty Ltd and may not be reproduced in full or part without the written consent of Enware Australia.

DRAWN	AC
CHECKED	RA
APPROVED	AK



9 Endeavour Rd, Caringbah, NSW, 2229 Ph. +61 2 8536 4000 Email: info@enware.com.au

DRAWING NUMBER: FS070		REV: D.0
DESCRIPTION: ADJ WALL BRACKET STANDARD		
FINISH: CHROME PLATED	SIZE: A4	SCALE: 1:2

A

B

C

D