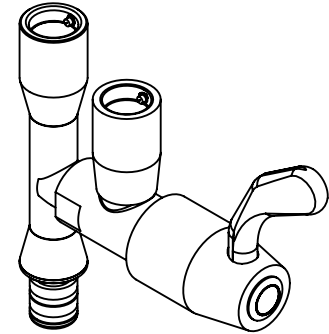
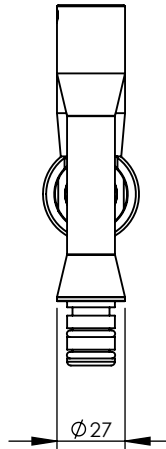
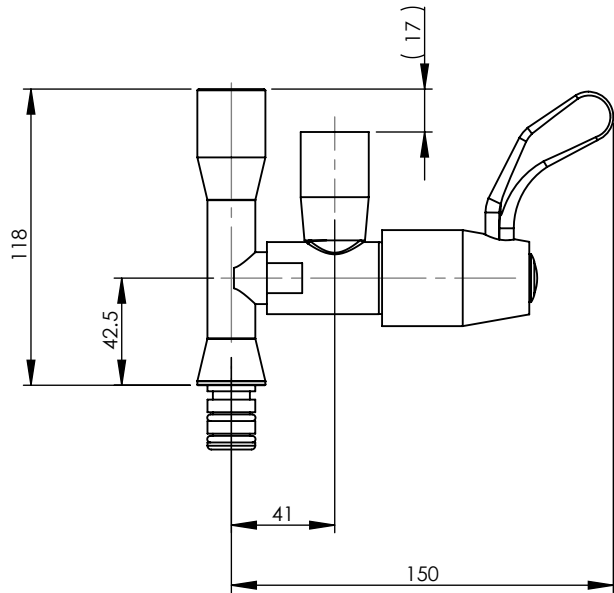
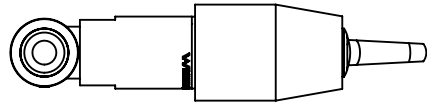


A

B

C

D



GENERAL NOTES:
 - REMOVE ALL BURRS AND SHARP EDGES UNLESS OTHERWISE STATED
 - ALL THREADS TO BE CHAMFERED
 - DIMENSIONS ARE IN mm's
 - DO NOT SCALE OFF DIMENSIONS

TOLERANCE EXCEPT WHERE STATED:
 NO DECIMAL POINT ∕ 2
 ONE DECIMAL PLACE ∕ 1
 ANGLES ∕ 1°

ENWARE RESERVES THE RIGHT TO AMMEND PRODUCT SPECIFICATIONS AND DESIGNS WITHOUT NOTICE

DRAWN	AC
CHECKED	YK
APPROVED	LR

This drawing is the property of Enware Australia Pty Ltd and may not be reproduced in full or part without the written consent of Enware Australia.



9 Endeavour Rd,
 Caringbah, NSW, 2229
 Ph. 61-2-9525-9511
 Fax. 61-2-9524-8421



TITLE
POT FILLER ADAPTOR

DRAWING NUMBER: FS063

FINISH: CHROME PLATED

SIZE: A4

SCALE: 1:3

SHEET: 1 OF 2

REVISION

REV.	DATE	ECN	DESCRIPTION	MODIFIED BY
A	30/06/05		FIRST ISSUE	
B	14/08/06		REDRAWN IN SOLIDWORKS	
C	26/08/15	4681	UPDATED BOM AS PER EM	TD

A

B

C

D

1

1

2

2

3

3

4

4