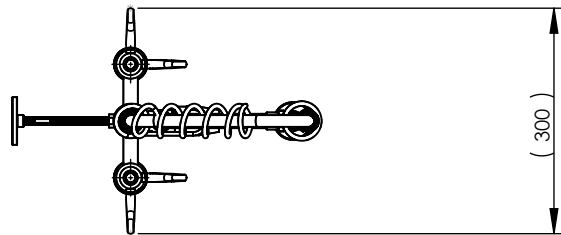


A

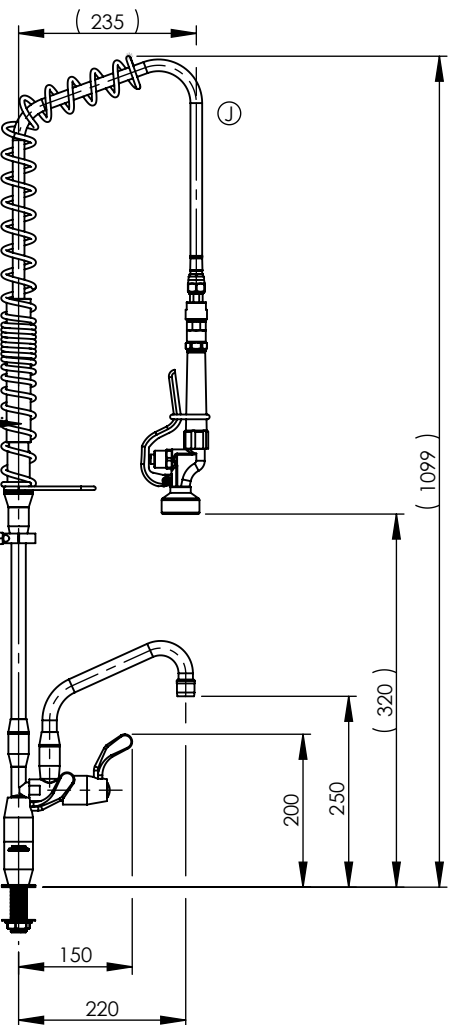
B

C

D



(300)



Ø 63

155 max

(235)

(1099)

(320)

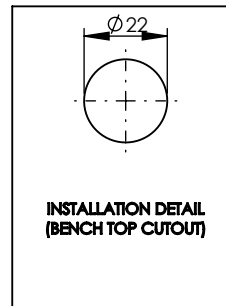
200

250

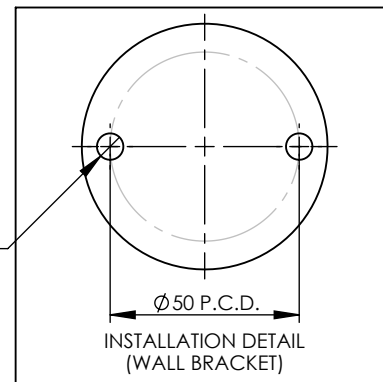
150

220

(45 max.)



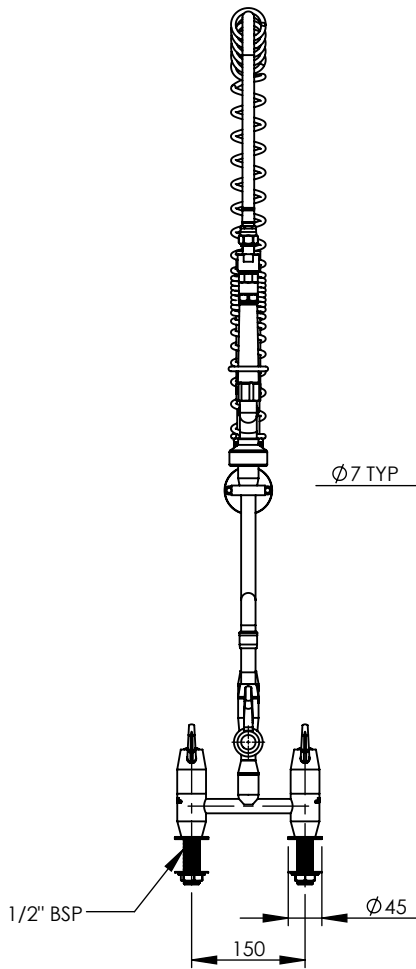
INSTALLATION DETAIL
(BENCH TOP CUTOUT)



Ø 7 TYP

Ø 50 P.C.D.

INSTALLATION DETAIL
(WALL BRACKET)



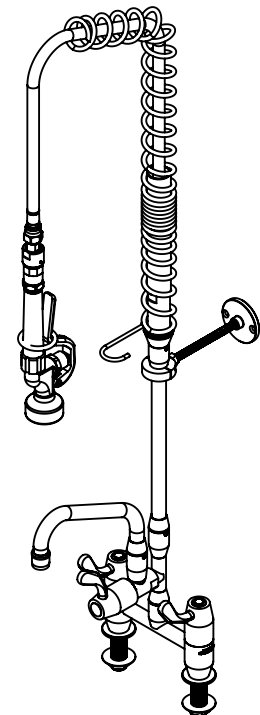
1/2" BSP

150

Ø 45

NOTES:

1. SPRAY GUN POSITION DIMENSIONS ARE APPROXIMATE AND REPRESENT A BRAND NEW UNIT.
2. SPRING WILL SAG WITH USE OVER TIME.



GENERAL NOTES:
 - DIMENSIONS ARE IN mm's
 - DO NOT SCALE OFF DIMENSIONS
 - TAPWARE TOLERANCE / 2 (EXCEPT WHERE STATED)
 - SAFETY SANITARY AND CARE TOLERANCE / 5 (EXCEPT WHERE STATED)

This drawing is the property of Enware Australia Pty Ltd and may not be reproduced in full or part without the written consent of Enware Australia.

DRAWN	PK
CHECKED	CL
APPROVED	LR



DRAWING NUMBER: FHS131	REV: J.0
DESCRIPTION: HOB EXP/MIX W/ SPRING & POT FILLER	
FINISH: CHROME PLATED	SIZE: A4 SCALE: 1:10

A

B

C

D

1

2

3

4

1

2

3

4