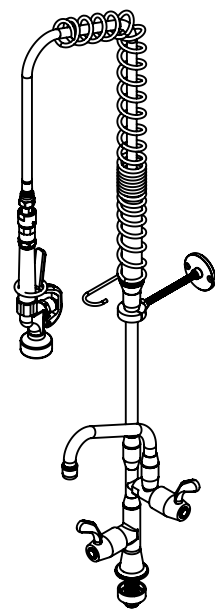
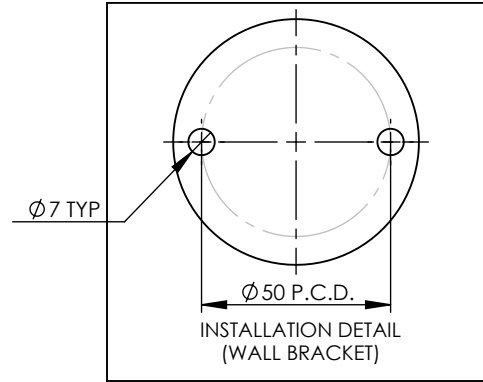
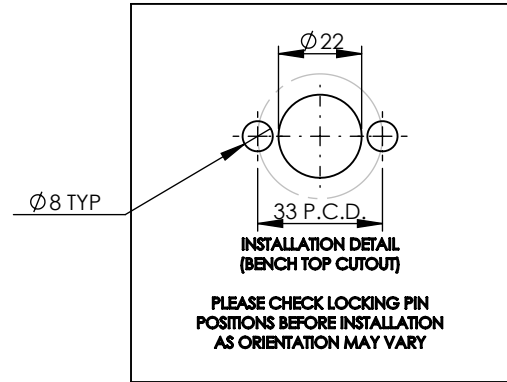
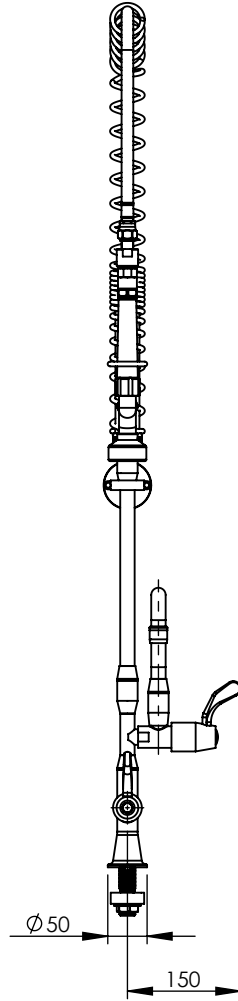
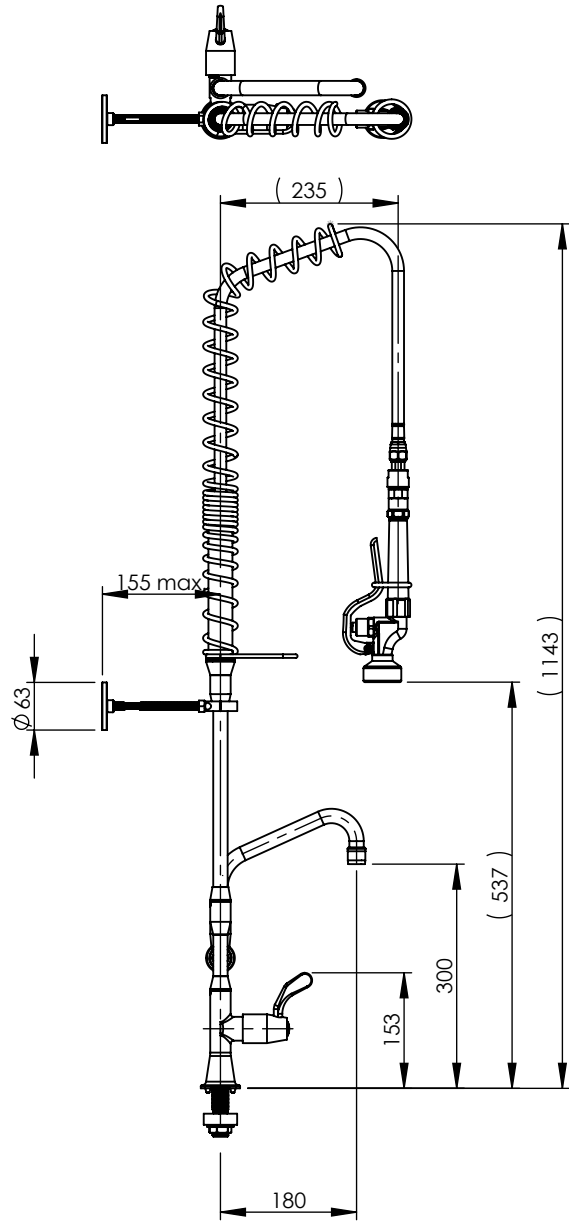


A

B

C

D



NOTES:-

1. SPRAY GUN POSITION DIMENSIONS ARE APPROXIMATE AND REPRESENT A BRAND NEW UNIT.
2. SPRING WILL SAG WITH USE OVER TIME.



GENERAL NOTES:
 - DIMENSIONS ARE IN mm's
 - DO NOT SCALE OFF DIMENSIONS
 - TAPWARE TOLERANCE / 2 (EXCEPT WHERE STATED)
 - SAFETY SANITARY AND CARE TOLERANCE / 5 (EXCEPT WHERE STATED)

This drawing is the property of Enware Australia Pty Ltd and may not be reproduced in full or part without the written consent of Enware Australia.

DRAWN	KN
CHECKED	RA
APPROVED	AK



DRAWING NUMBER: FHS111		REV: G.0
DESCRIPTION: HOB PRE-MIX ASSY W/ SPRING & POT FILLER		
FINISH: CHROME PLATED	SIZE: A4	SCALE: 1:10

A

B

C

D

1

2

3

4

1

2

3

4