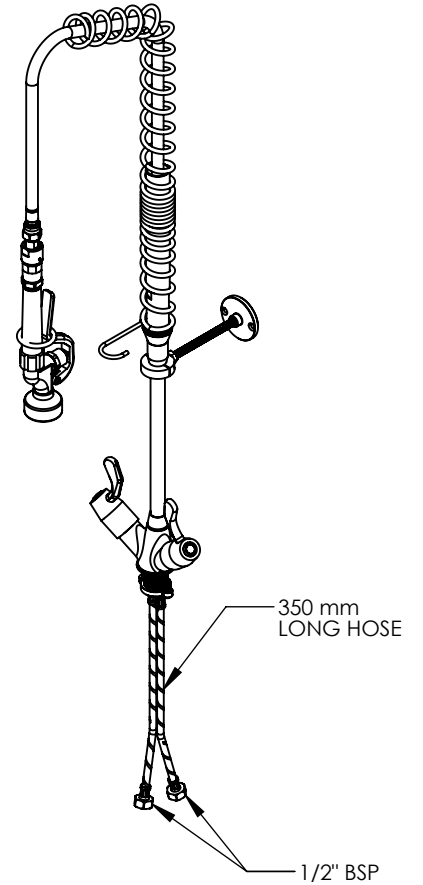
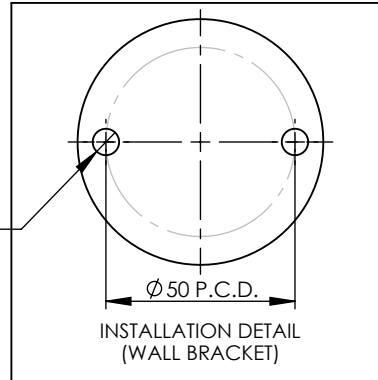
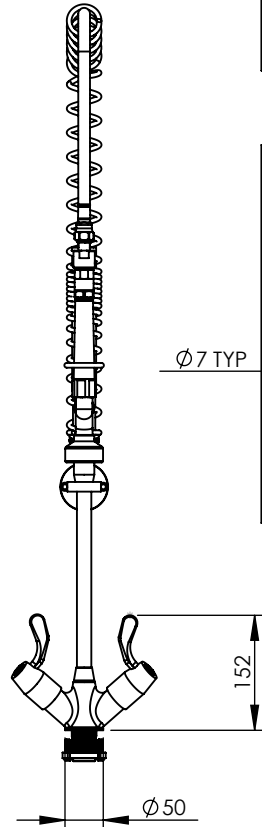
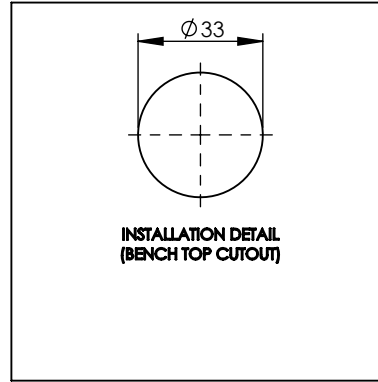
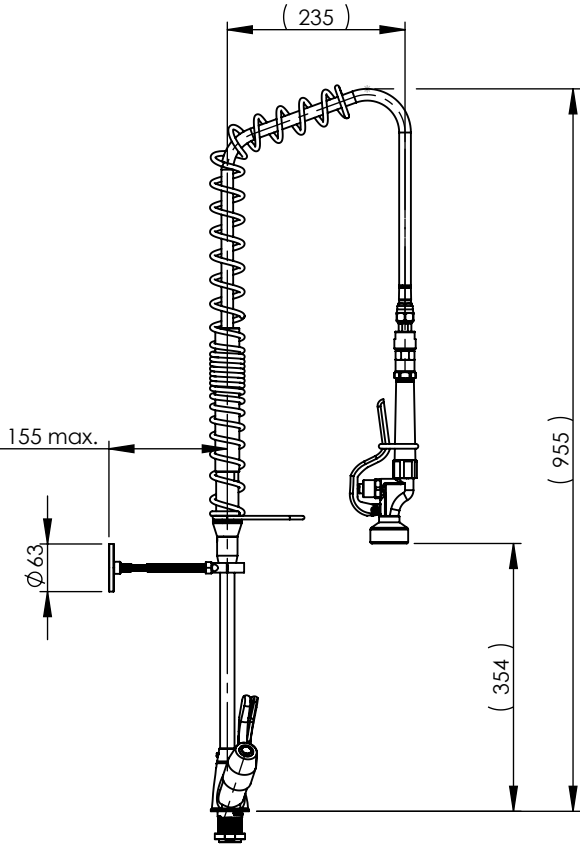
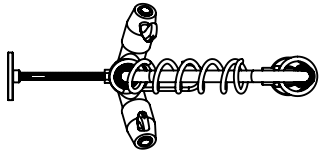


A

B

C

D



**NOTES:**

1. SPRAY GUN POSITION DIMENSIONS ARE APPROXIMATE AND REPRESENT A BRAND NEW UNIT.
2. SPRING WILL SAG WITH USE OVER TIME.



**GENERAL NOTES:**  
 - DIMENSIONS ARE IN mm's  
 - DO NOT SCALE OFF DIMENSIONS  
 - TAPWARE TOLERANCE / 2 (EXCEPT WHERE STATED )  
 - SAFETY SANITARY AND CARE TOLERANCE / 5 (EXCEPT WHERE STATED )

This drawing is the property of Enware Australia Pty Ltd and may not be reproduced in full or part without the written consent of Enware Australia.

|          |    |
|----------|----|
| DRAWN    | AC |
| CHECKED  | RA |
| APPROVED | AK |



9 Endeavour Rd,  
Caringbah, NSW, 2229  
Ph. +61 2 8536 4000  
Email: info@enware.com.au

|  |                      |
|--|----------------------|
| DRAWING NUMBER: FHS041                               | REV: L.0             |
| DESCRIPTION:<br>HOB DUAL MIXER ASSY W/ SPRING RETURN |                      |
| FINISH: CHROME PLATED                                | SIZE: A4 SCALE: 1:10 |

A

B

C

D

1

1

2

2

3

3

4

4