

A

B

C

D

1

1

2

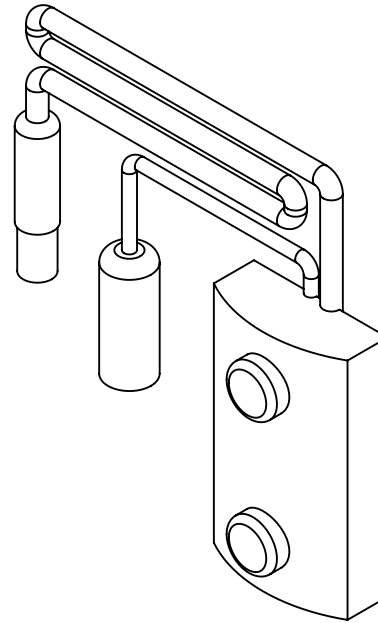
2

3

3

4

4



  
 ENWARE RESERVES THE RIGHT TO AMMEND PRODUCT SPECIFICATIONS AND DESIGNS WITHOUT NOTICE

**GENERAL NOTES:**  
 - DIMENSIONS ARE IN mm's  
 - DO NOT SCALE OFF DIMENSIONS  
 - TAPWARE TOLERANCE / 2 (EXCEPT WHERE STATED )  
 - SAFETY SANITARY AND CARE TOLERANCE / 5 (EXCEPT WHERE STATED )

This drawing is the property of Enware Australia Pty Ltd and may not be reproduced in full or part without the written consent of Enware Australia.

DRAWN	TD
CHECKED	CL
APPROVED	RA

  
 9 Endeavour Rd,  
 Caringbah, NSW, 2229  
 Ph. +61 2 8536 4000  
 Email: info@enware.com.au

DRAWING NUMBER: ENMS227  
 DESCRIPTION:  
 SENSOR FOR ORAS ENM6350/51/53/54 600774V  
 FINISH:

REV: B.0  
 SIZE: A4  
 SCALE: 1:1

A

B

C

D