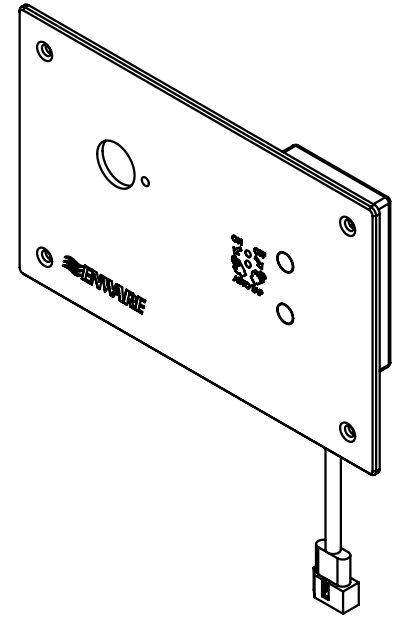
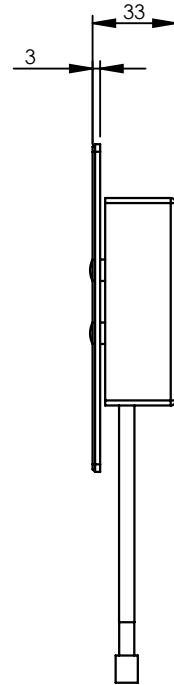
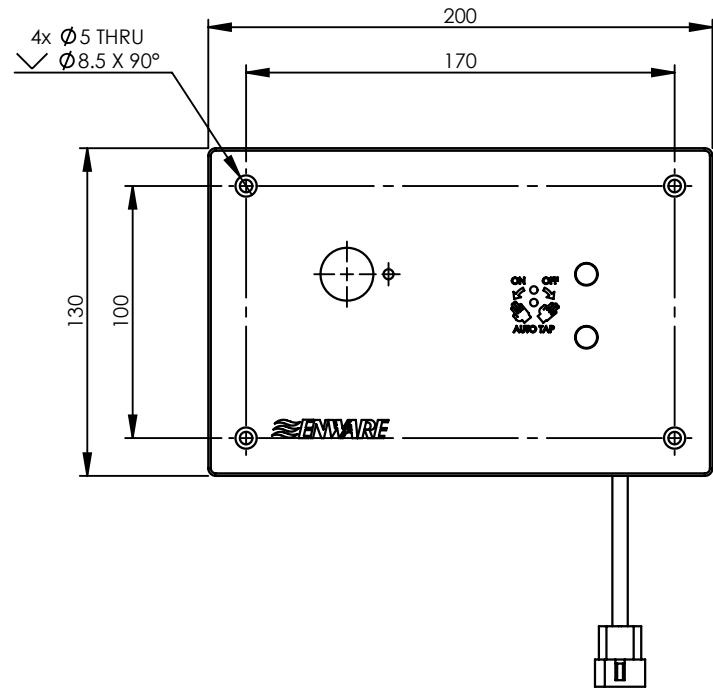


A

B

C

D



**GENERAL NOTES:**  
 - REMOVE ALL BURRS AND SHARP EDGES UNLESS OTHERWISE STATED  
 - ALL THREADS TO BE CHAMFERED  
 - DIMENSIONS ARE IN mm's  
 - DO NOT SCALE OFF DIMENSIONS

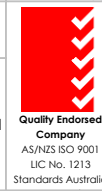
**TOLERANCE EXCEPT WHERE STATED:**  
 NO DECIMAL POINT  $\nabla 2$   
 ONE DECIMAL PLACE  $\nabla 1$   
 ANGLES  $\nabla 1^{\circ}$

ENWARE RESERVES THE RIGHT TO AMMEND PRODUCT SPECIFICATIONS AND DESIGNS WITHOUT NOTICE

DRAWN	YK
CHECKED	CL
APPROVED	LR



This drawing is the property of Enware Australia Pty Ltd and may not be reproduced in full or part without the written consent of Enware Australia.



9 Endeavour Rd,  
 Caringbah, NSW, 2229  
 Ph. 61-2-9525-9511  
 Fax. 61-2-9524-8421

**TITLE**  
**ENMATIC SS FACEPLATE W/  
 SENSOR ENM5072**

**DRAWING NUMBER:** ENMS133

**FINISH:** BRUSHED

SIZE: A4

SCALE: 1:3

SHEET: 1 OF 2

REVISION

REV.	DATE	ECN	DESCRIPTION	MODIFIED BY
A	26/05/14	4079	FIRST ISSUE	

A

B

C

D

1

2

3

4

1

2

3

4