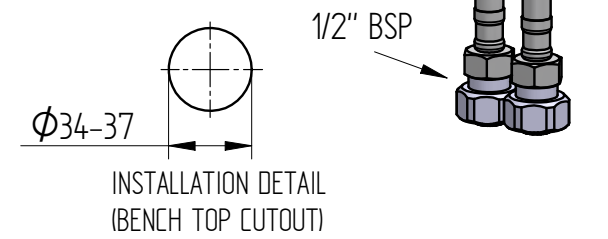


360 mm LONG HOSE



Ø34-37

1/2" BSP

INSTALLATION DETAIL  
(BENCH TOP CUTOUT)

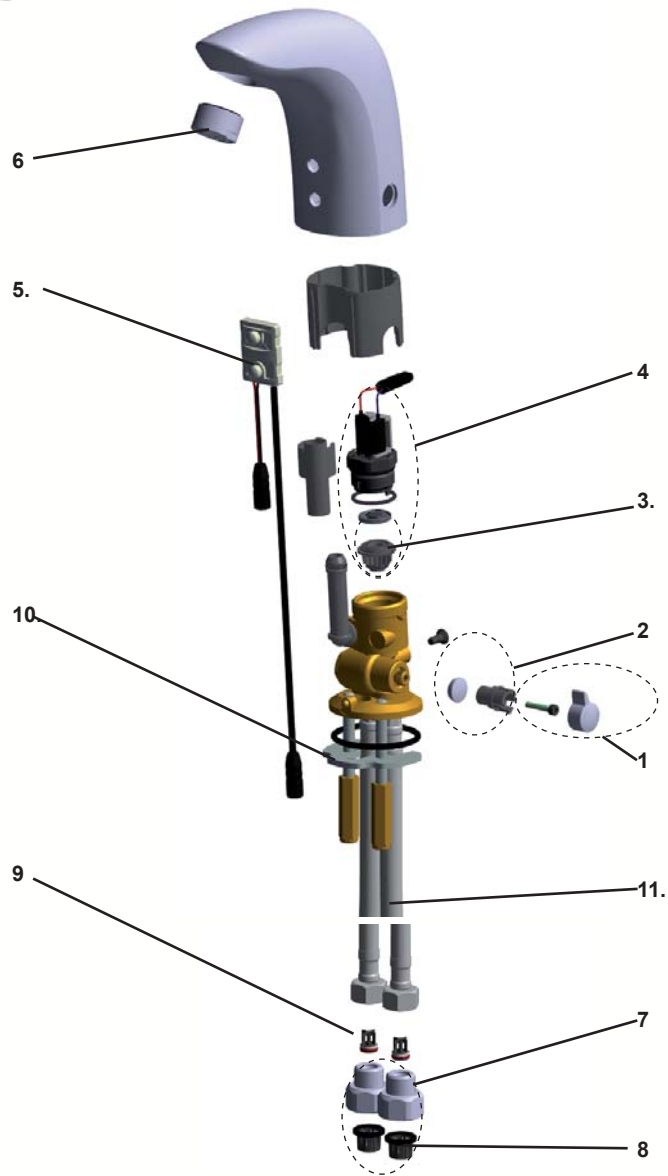
REV	DATE	CN	AMENDMENTS	MODIFIED BY
A	11.6.09		FIRST ISSUE	

**GENERAL NOTES:**  
 REMOVE ALL BURS AND SHARP EDGES UNLESS OTHERWISE STATED  
 DIMENSIONS ARE IN mm's

**TOLERANCE EXCEPT WHERE STATED:**

NO DECIMAL POINT     $\pm 0.2$   
 ONE DECIMAL PLACE     $\pm 0.1$   
 TWO DECIMAL PLACES     $\pm 0.05$   
 ANGLES     $\pm 1$

DRAWN JH CHECKED APPROVED	9 Endeavour Rd, Caringbah, NSW, 2229 Ph. 61-3-9525-9511 Fax. 61-3-9524-8421	
<b>TITLE: VIVA SENSOR TAP MAINS POWERED</b>		
Scale: Not To Scale		
<b>MATERIAL:</b> FINISH: CHROME	DWG NO. <b>ENM6120</b>	SHEET OF 1
<small>This drawing is the Copyright of Enware Australia Pty Ltd and may not be reproduced in full or part without the written consent of Enware Australia Pty Ltd</small>		



EXPLODED VIEW

	PART DESCRIPTION	SALES CODE
1	TEMP; CONTROL HANDLE - VIVA SERIES	ENMS215
2	CHROME COVER ASSEMBLY- VIVA SERIES	ENMS219
3	SOLENOID MEMBRANE /SUPPORT RING-ONLY	ENMS212
4	SOLENOID VALVE ASSEMBLY - ORAS	ENMS207
5	SENSOR TO SUIT ORAS ENM6120-6222	ENMS209
6	AERATOR 6L/M ORAS ENM6120/6150/6450	ENMS200
7	G3/8-G1/2 ADAPTOR / MESH STRAINER	SLMS611
8	MESH STRAINER X2	SLMS629
9	CHECK VALVE OV10 X 2	SLMS198473/2
10	FIXING PLATE AND NUTS	SLMS605
11.	S/PEX INLET HOSES (1 HOT, 1 COLD)	SLMS612

REV	DATE	CN	AMENDMENTS	MODIFIED BY
A	11.6.09		FIRST ISSUE	

**GENERAL NOTES:**  
 REMOVE ALL BURS AND SHARP EDGES UNLESS OTHERWISE STATED  
 DIMENSIONS ARE IN mm's

**TOLERANCE EXCEPT WHERE STATED:**

NO DECIMAL POINT     $\pm$  0.2  
 ONE DECIMAL PLACE     $\pm$  0.1  
 TWO DECIMAL PLACES     $\pm$  0.05  
 ANGLES     $\pm$  1

DRAWN	JH	9 Endeavour Rd, Caringbah, NSW, 2229 Ph. 61-2-9525-9511 Fax. 61-2-9524-8421	
CHECKED			
APPROVED			
TITLE: VIVA SENSOR TAP MAINS POWERED			Scale: Not To Scale
MATERIAL: FINISH: CHROME			
This drawing is the Copyright of Enware Australia Pty Ltd and may not be reproduced in full or part without the written consent of Enware Australia Pty Ltd			DWG NO. ENM6120 SHEET 1 OF 1