

A

B

C

D

1

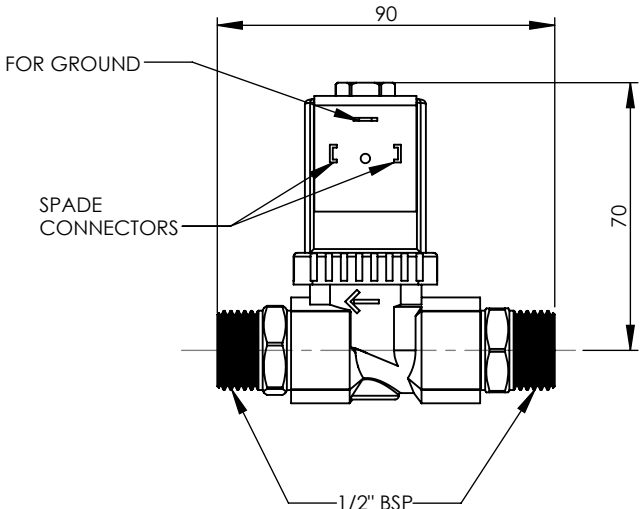
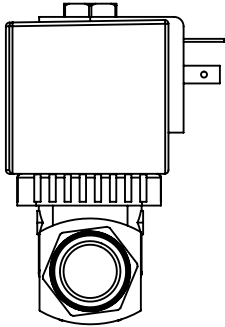
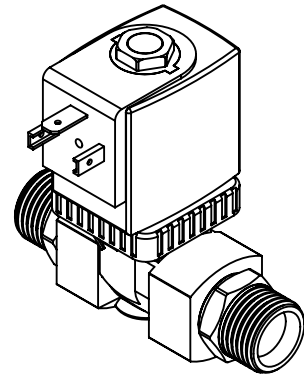
1

2

2

3

3



4

4

REVISION				
REV.	DATE	ECN	DESCRIPTION	MODIFIED BY
A	25/01/10		FIRST ISSUE	
B	30/08/10		CONNECTION TYPE INFORMATION ADDED	KN
C	03/06/15	4182	892073 WAS 892043, 672389 WAS 672365, ADDED 100062, UPDATED TITLE	TD

GENERAL NOTES:
 - REMOVE ALL BURRS AND SHARP EDGES UNLESS OTHERWISE STATED
 - ALL THREADS TO BE CHAMFERED
 - DIMENSIONS ARE IN mm's
 - DO NOT SCALE OFF DIMENSIONS

TOLERANCE EXCEPT WHERE STATED:
 NO DECIMAL POINT ∕ 2
 ONE DECIMAL PLACE ∕ 1
 ANGLES ∕ 1°

ENWARE RESERVES THE RIGHT TO AMMEND PRODUCT SPECIFICATIONS AND DESIGNS WITHOUT NOTICE

DRAWN	SM
CHECKED	AC
APPROVED	YK

This drawing is the property of Enware Australia Pty Ltd and may not be reproduced in full or part without the written consent of Enware Australia.



9 Endeavour Rd,
 Caringbah, NSW, 2229
 Ph. 61-2-9525-9511
 Fax. 61-2-9524-8421



TITLE
ENMATIC SOLENOID VALVE 1/2 INCH

DRAWING NUMBER: EMS804

FINISH: VARIOUS, BRASS BODY

SIZE: A4 SCALE: 1:2 SHEET: 1 OF 2

A

B

C

D