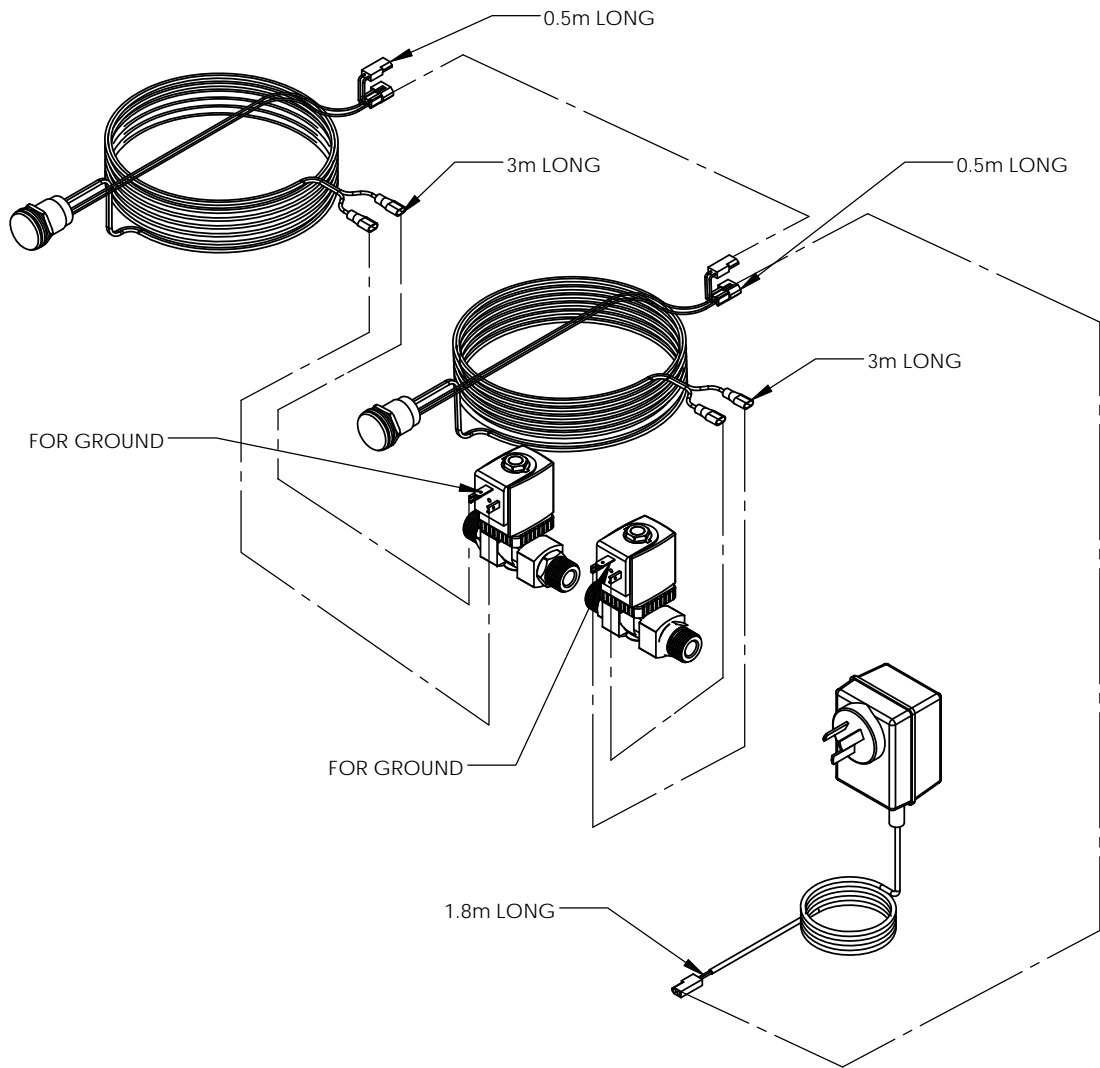


REV	DATE	CN	AMMENDMENTS	MODIFIED BY
A	27/10/06		FIRST ISSUE	
B	25/01/10		892043 UPDATED	SM
C	25/05/10		WIRING DIAGRAM ADDED	SM
D	30/08/10		WIRING DIAGRAM UPDATED, POWERPACK DESIGN UPDATED	KN

GENERAL NOTES:
 REMOVE ALL BURRS AND SHARP EDGES UNLESS OTHERWISE STATED
 DIMENSIONS ARE IN mm's
TOLERANCE EXCEPT WHERE STATED:
 NO DECIMAL POINT \neq 0.2
 ONE DECIMAL PLACE \neq 0.1
 TWO DECIMAL PLACES \neq 0.05
 ANGLES \neq 1
 ENWARE RESERVES THE RIGHT TO AMEND PRODUCT SPECIFICATIONS AND DESIGNS WITHOUT NOTICE.

DRAWN	KN	9 Endeavour Rd, Caringbah, NSW, 2229 Ph. 61-2-9525-9511 Fax. 61-2-9524-8421	
CHECKED			
APPROVED			
TITLE: ENMATIC SENSOR 2 BUTTON SHWR OR BASIN			
Scale: Not To Scale		Scale: Not To Scale	
MATERIAL:			
FINISH:			
This drawing is the Copyright of Enware Australia Pty Ltd and may not be reproduced in full or part without the written consent of Enware Australia Pty Ltd		DWG NO.	SHEET 1 OF 3
		EMD820	



WIRING DIAGRAM

REV	DATE	CN	AMMENDMENTS	MODIFIED BY
A	27/10/06		FIRST ISSUE	
B	25/01/10		892043 UPDATED	SM
C	25/05/10		WIRING DIAGRAM ADDED	SM
D	30/08/10		WIRING DIAGRAM UPDATED, POWERPACK DESIGN UPDATED	KN

GENERAL NOTES:
 REMOVE ALL BURRS AND SHARP EDGES UNLESS OTHERWISE STATED
 DIMENSIONS ARE IN mm's
TOLERANCE EXCEPT WHERE STATED:
 NO DECIMAL POINT / 0.2
 ONE DECIMAL PLACE / 0.1
 TWO DECIMAL PLACES / 0.05
 ANGLES / 1

ENWARE RESERVES THE RIGHT TO AMEND PRODUCT SPECIFICATIONS AND DESIGNS WITHOUT NOTICE.

DRAWN	KN	9 Endeavour Rd, Caringbah, NSW, 2229	
CHECKED		Ph. 61-2-9525-9511	
APPROVED		Fax. 61-2-9524-8421	
TITLE: ENMATIC SENSOR 2 BUTTON SHWR OR BASIN			
Scale: Not To Scale		Scale: Not To Scale	
MATERIAL:			
FINISH:			
This drawing is the Copyright of Enware Australia Pty Ltd and may not be reproduced in full or part without the written consent of Enware Australia Pty Ltd		DWG NO.	SHEET 3 OF 3
		EMD820	