

Electronic Time Flow Shower Mixer

This robust, low maintenance, vandal resistant shower mixer is ideal for use in public amenity facilities.

The sequential mixer cartridge provides a simple interface that allows the user to adjust the temperature while the shower is in use.

The latest piezo technology provides the facility managers with a high level of control over water usage as the run time is programmable and can be adjusted easily when required.

FEATURES

- Touch activated electronic piezo switch with no moving parts
- Temperature adjustment with lever handle
- Supplied with 2mm stainless steel fascia plate and in wall mounting bracket
- 1/2" stainless steel solenoid valve
- 24V DC power pack with 4.5m cable
- Fully programmable piezo button and adjustable in situ
- Operating run time Adjustable: from 3 seconds up to 10 minutes with optional time out between uses ^

EMD815



Product Codes

EMD815 Electronic Time Flow Shower Mixer - Adjustable Timing ^

^ Refer to Piezo Switch Specification form ENF110 next page

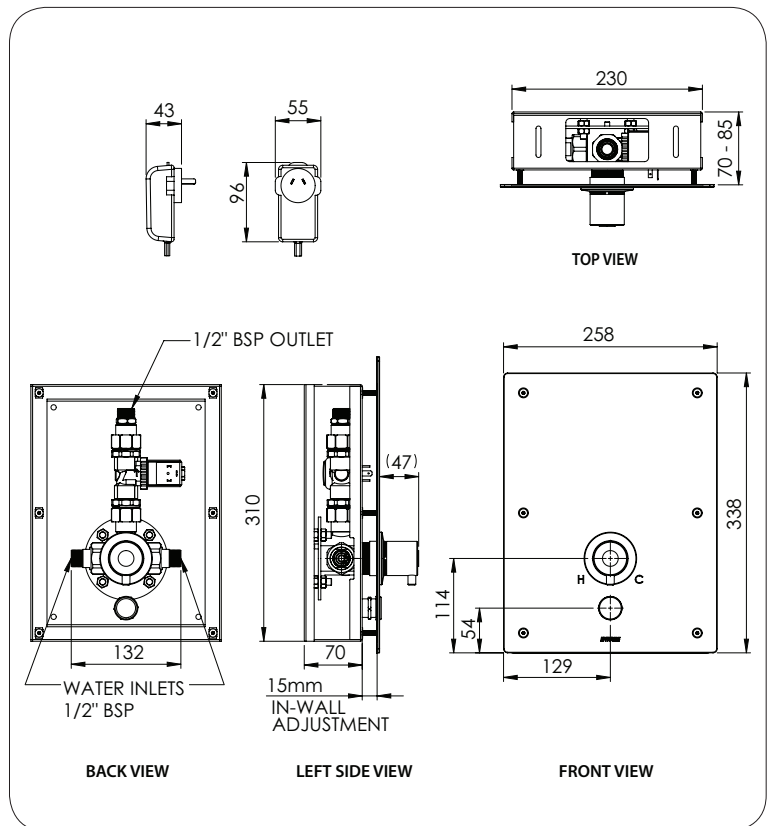
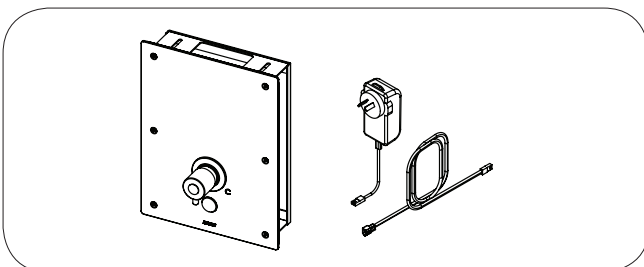
Technical Information

Inlet Connection	15 mm (1/2") BSP
Recommended Working Pressure	50 - 500 kPa*
Maximum Inlet Temperature*	70 °C*
Power Supply	24V DC 1.25A
IP Protection Class - Piezo Button	IP68

*Enware products are to be installed in accordance with the Plumbing Code of Australia and AS/NZS3500.

Reference should also be made to the Australasian Health facility Guidelines (AHFG), ABCB and Local Government regulations when considering the choice of, and the installation of these products.

NOTE: Enware Australia advises: 1. Due to ongoing Research and Development, specifications may change without notice; 2. Component specifications may change on some export models.



Version: Jun 19

Call 1300 369 273
www.enware.com.au

Enware Australia Pty Limited
9 Endeavour Rd Caringbah NSW 2229 Australia
Ph: 02 8536 4000 info@enware.com.au



EMD815 Piezo Switch Specification Form - ENF110

CUSTOMER	
CONTACT NAME	
PHONE	
EMAIL	
ORDER ID	

Run Time (ON Time) ^	Optional Early STOP ^ (Circle One)	OFF Time (Lockout) ^
	YES / NO	

^ See explanations next page

Adjustable Timing Options - See Explanations Next Page

RUN TIME (ON Time)		OFF TIME (Lockout)	
Time Range	Increments (sec)	Time Range	Increments (sec)
3 - 30	3	6 - 60	6
30 - 300	30	-	-
300 - 600	60	60 - 600	60

Version: Jun 19

Call 1300 369 273
www.enware.com.au

Enware Australia Pty Limited
9 Endeavour Rd Caringbah NSW 2229 Australia
Ph: 02 8536 4000 info@enware.com.au



EMD Range Piezo Switch Adjustable Program Timing Options

Adjustable Timing Options

RUN TIME (ON Time)		OFF TIME (Lockout)	
Time Range	Increments (sec)	Time Range	Increments (sec)
3 - 30	3	6 - 60	6
30 - 300	30	-	-
300 - 600	60	60 - 600	60

Enware's Programmable Electronic Piezo Switch is a touch-activated sensor that has a range of settings available:

- **Run Time** (how long the tap runs for)
- **Early STOP** (the user can turn off the tap before the run time finishes)
- **OFF Time / Lockout** (the length of time the tap is "locked out" and cannot be turned on again)

Run Time

The length of time you want the tap to run once turned ON.

- Minimum length 3 seconds, maximum length 10 minutes.
- In increments of 3 seconds (3, 6, 9, ..etc.) for up to 30 seconds.
For more than 30 seconds, in increments of 30 seconds (60, 90, 120 ..etc.) up to 5 minutes.
For more than 5 minutes, in increments of 1 minute (6 min, 7min ..etc.) up to 10 minutes.
- Factory default run time setting is 6 seconds.

Early STOP

This function allows the user to STOP the flow of water even if the set Run Time has not finished yet. For example, a shower is set to run for 3 minutes but user decides to turn it off at 1 minute. (Note that any Off Time / Lockout still applies once it is turned off.)

- Choose "Yes" if you want this function.
- Choose "No" if you want the water to flow for the set Run Time without interruption. (User cannot turn off the tap until Run Time has finished.)
- Factory default setting is "Yes" (with Early STOP)

Off Time (Lockout)

The length of time you want the tap to stay OFF once stopped. (User cannot turn the tap on again until Lockout time has finished.) This function prevents consecutive use.

- Minimum length 0 seconds, maximum length 10 minutes Off Time.
- In increments of 6 seconds (0, 6, 12, ..etc.) up to 60 seconds.
- For more than 60 seconds, in increments of 60 seconds (7 min, 8min ..etc.) up to 10 minutes.
- Choose "No" or "0" (zero) if you do not want any Lockout time. (That is, allow consecutive use.)
- Factory default setting is "0" (No Off Time).

NOTE: The Lockout time becomes effective every time the switch turns OFF (including when the switch is turned OFF early).

Version: Jun 19

Call 1300 369 273
www.enware.com.au

Enware Australia Pty Limited
9 Endeavour Rd Caringbah NSW 2229 Australia
Ph: 02 8536 4000 info@enware.com.au

