

A

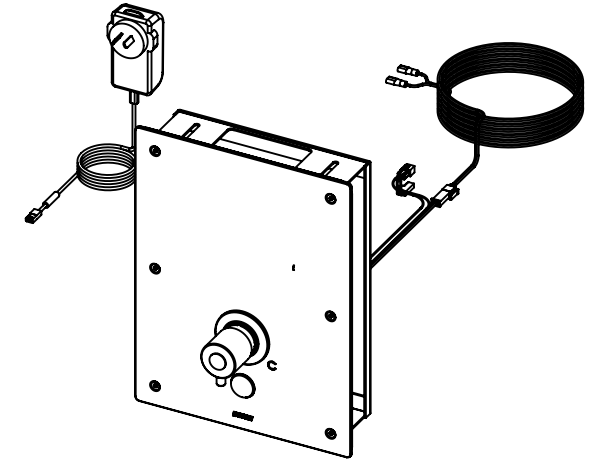
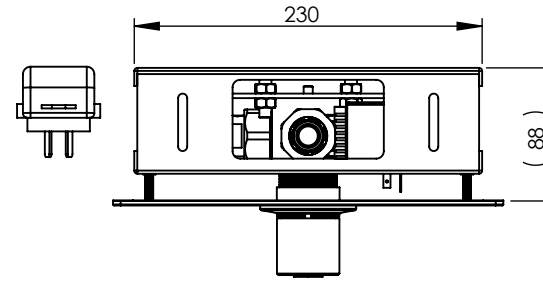
B

C

D

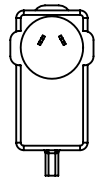
1

1

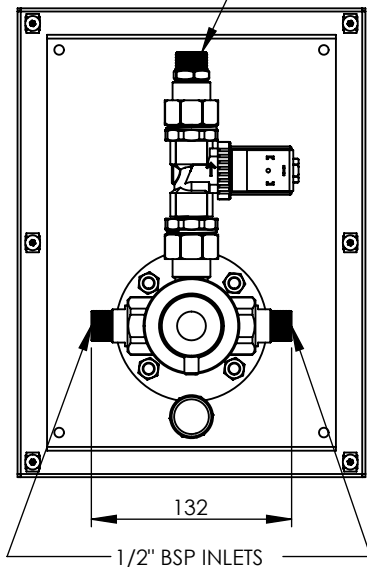


2

2



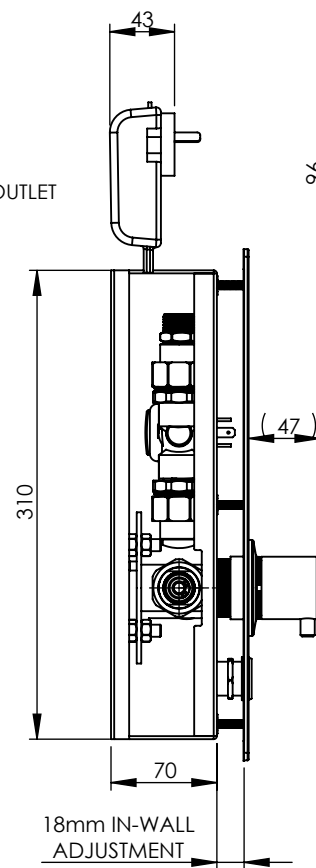
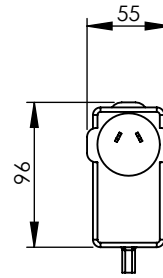
1/2" BSP OUTLET



1/2" BSP INLETS

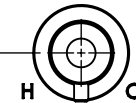
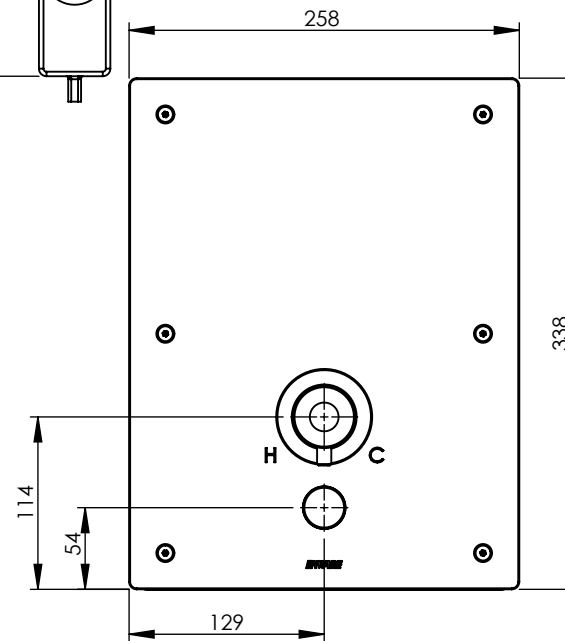
3

3

18mm IN-WALL  
ADJUSTMENT

4

4



129

A

B

C

D



ENWARE RESERVES THE RIGHT TO  
AMMEND PRODUCT  
SPECIFICATIONS AND DESIGNS  
WITHOUT NOTICE

**GENERAL NOTES:**

- DIMENSIONS ARE IN mm's
- DO NOT SCALE OFF DIMENSIONS
- TAPWARE TOLERANCE / 2 (EXCEPT WHERE STATED )
- SAFETY SANITARY AND CARE TOLERANCE / 5 (EXCEPT WHERE STATED )

This drawing is the  
property of Enware  
Australia Pty Ltd and  
may not be reproduced  
in full or part without the  
written consent of  
Enware Australia.

DRAWN	TD
CHECKED	TD
APPROVED	TD

9 Endeavour Rd,  
Caringbah, NSW, 2229

Ph. +61 2 8536 4000  
Email: info@enware.com.au

DRAWING NUMBER: EMD815

REV: K.0

DESCRIPTION: PIEZO TIME FLOW SHR MIX SEQ. PZ LEVER

FINISH: S.S. PLATE

SIZE: A4

SCALE: 1:5

A

B

C

D

1

1

2

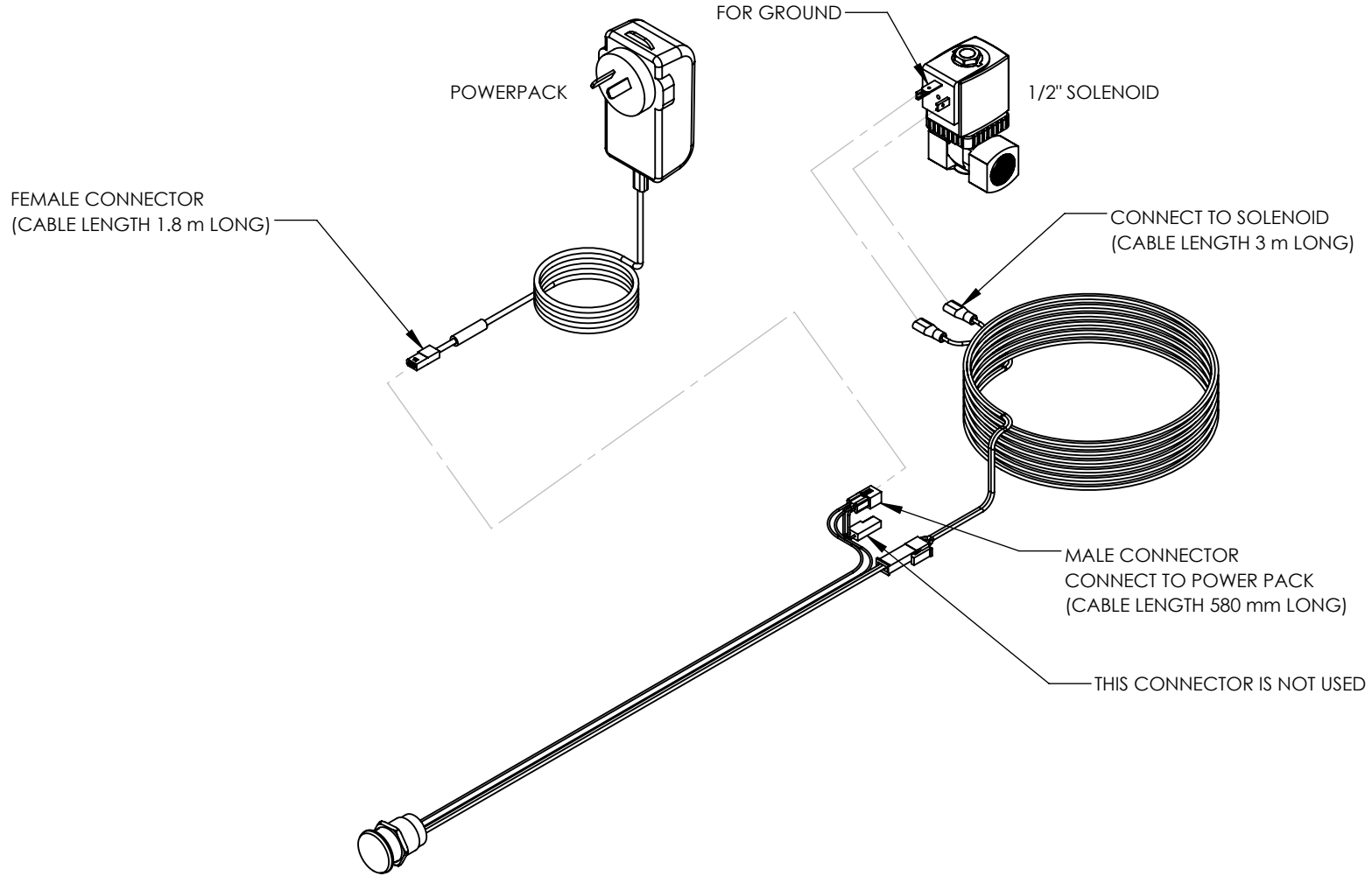
2

3

3

4

4



**GENERAL NOTES:**  
 - DIMENSIONS ARE IN mm's  
 - DO NOT SCALE OFF DIMENSIONS  
 - TAPWARE TOLERANCE / 2 (EXCEPT WHERE STATED )  
 - SAFETY SANITARY AND CARE TOLERANCE / 5 (EXCEPT WHERE STATED )

This drawing is the property of Enware Australia Pty Ltd and may not be reproduced in full or part without the written consent of Enware Australia.

DRAWN	TD
CHECKED	TD
APPROVED	TD



DRAWING NUMBER: EMD815		REV: K.0
DESCRIPTION: PIEZO TIME FLOW SHR MIX SEQ. PZ LEVER		
FINISH:	SIZE: A4	SCALE: 1:4

A

B

C

D