

# Bottle/Glass Filler - spare part

A hob mounted self closing glass/bottle filler for dispensing drinking water from water chillers.

## BUB292

Available as a spare part for Enware Water Chillers.

### FEATURES

- Vandal resistant design
- Self-closing mechanism
- DR Brass construction
- Integral adjustable flow regulator



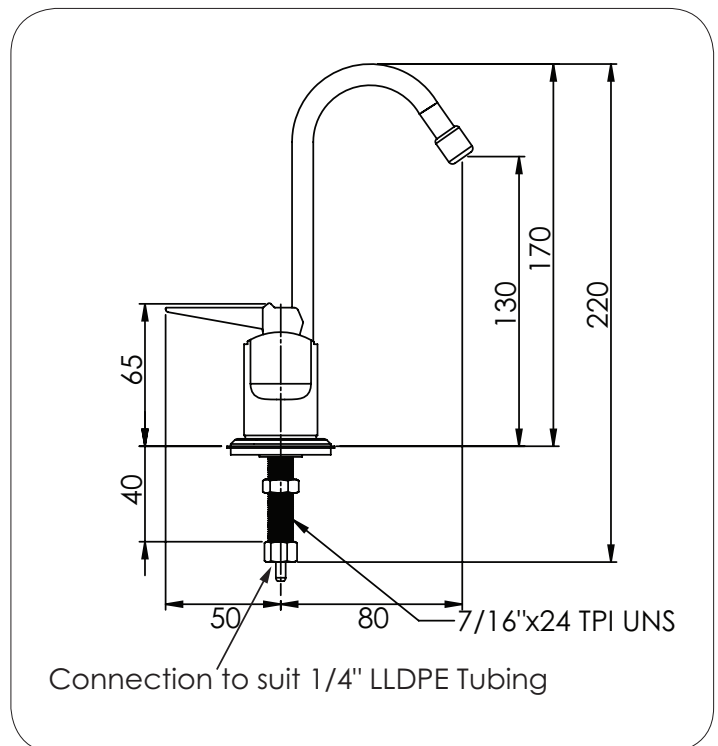
### Product Codes

**BUB292** Complete - Hob Mounting

### Technical Information

Inlet Connection	7/16"x24 TPI UNS to suit 1/4" LLDPE tubing
Recommended Working Pressure	100 - 500 kPa
Recommended Temperature Range	Chilled to tepid water

Enware tapware must be installed in accordance with the provisions of AS/NZS3500 and any relevant local regulations. Installations not complying with AS/NZS3500 may void the product and performance warranty provisions.  
The performance of Enware AS/NZS 3718 tapware, in many cases, exceeds the plumbing system design requirements of the Plumbing Code of Australia and AS/NZS 3500.



Version: Jun 18

Call 1300 369 273  
[www.enware.com.au](http://www.enware.com.au)

Enware Australia Pty Limited  
9 Endeavour Rd Caringbah NSW 2229 Australia  
Ph: 02 8536 4000 [info@enware.com.au](mailto:info@enware.com.au)

