

# Type63 Wallsend Rubber Guard Bubbler Cam Action

## BUB224RC

Enware's Blueline bubbler range is perfect for the playground drinking trough. Easy to use even for the smallest hands, and self closing to save water. The soft, bright-blue rubber mouthguard protects teeth, is antibacterial and UV stabilised against sun damage.

Strong, chrome plated brass body with a unique valve design ensures a long life under the toughest conditions.

### FEATURES

- Vandal resistant design
- Soft rubber guard protects teeth from impact, is antibacterial and UV stabilised for long life
- DR Brass construction
- Integral adjustable flow regulator
- Easy to turn self-closing mechanism
- Force required to activate @500kPa - 12.1nm\*

\* Note: A general reference point for a child's ability to activate a push button on a drinking fountain or water cooler is the Australian disabled standard AS1428.2. This standard states a maximum force of 19.5Nm



### Product Code

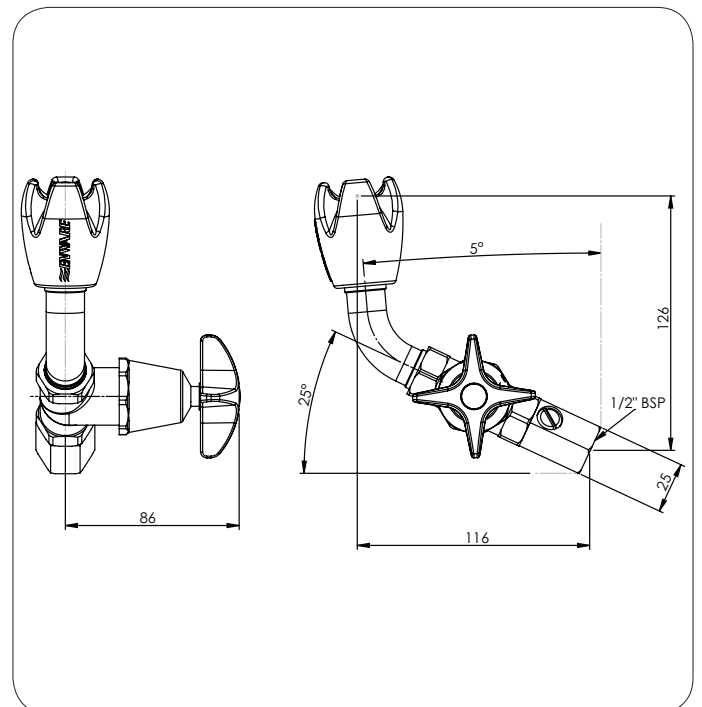
**BUB224RC** Wallsend Rubber Guard Bubbler  
Cam Action



### Technical Information

Inlet Connection	1/2" BSP Female
Recommended Working Pressure	100- 500 kPa
Flow Rate	2 l/minute (adjustable)
Recommended Temperature Range	5-30 °C

Enware tapware must be installed in accordance with the provisions of AS/NZS3500 and any relevant local regulations. Installations not complying with AS/NZS3500 may void the product and performance warranty provisions. The performance of Enware AS/NZS 3718 tapware, in many cases, exceeds the plumbing system design requirements of the Plumbing Code of Australia and AS/NZS 3500.



Version: May 16

Call 1300 369 273  
www.enware.com.au

Enware Australia Pty Limited  
9 Endeavour Rd Caringbah NSW 2229 Australia  
Ph: 02 8536 4000 Fax: 02 8556 4055

**ENWARE**  
installingconfidence