

Type100 Wall Mounted Rubber Guard Bubbler Lever Action

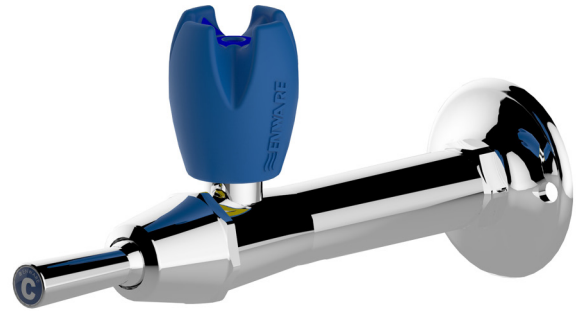
BUB219RL

Enware's Blueline bubbler range is perfect for the playground drinking trough. Easy to use even for the smallest hands, and self closing to save water. The soft, bright-blue rubber mouthguard protects teeth, is antibacterial and UV stabilised against sun damage.

Strong, chrome plated brass body with a unique valve design ensures a long life under the toughest conditions.

FEATURES

- Vandal resistant design
- Soft rubber guard protects teeth from impact, is antibacterial and UV stabilised for long life
- DR Brass construction
- Integral adjustable flow regulator
- Easy to turn on self-closing mechanism
- Force required to activate @500kPa - 13.8nm*



* Note: A general reference point for a child's ability to activate a push button on a drinking fountain or water cooler is the Australian disabled standard AS1428.2. This standard states a maximum force of 19.5Nm

Product Code

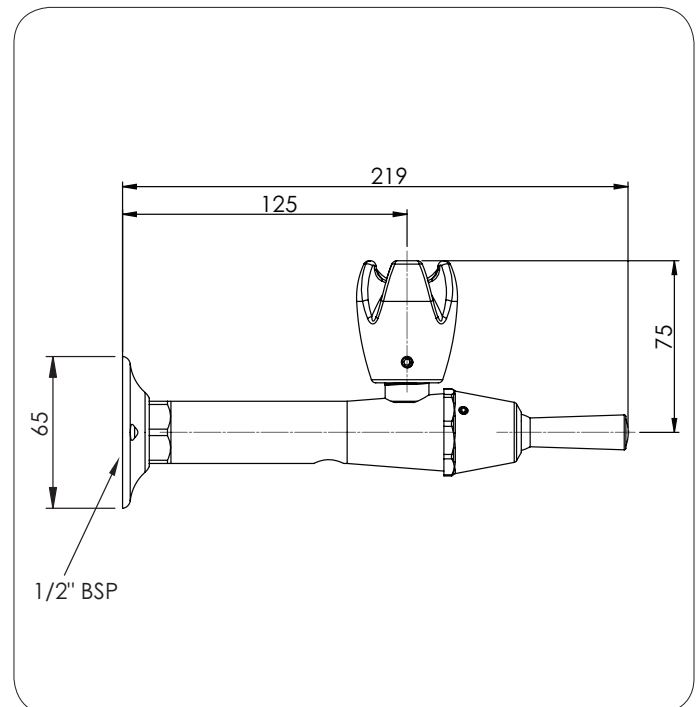
BUB219RL Wall Mounted Rubber Guard Bubbler
Lever Action



Technical Information

Inlet Connection	1/2" BSP Female
Recommended Working Pressure	100- 500 kPa
Flow Rate	2 l/minute (adjustable)
Recommended Temperature Range	5-30 °C

Enware tapware must be installed in accordance with the provisions of AS/NZS3500 and any relevant local regulations. Installations not complying with AS/NZS3500 may void the product and performance warranty provisions. The performance of Enware AS/NZS 3718 tapware, in many cases, exceeds the plumbing system design requirements of the Plumbing Code of Australia and AS/NZS 3500.



Version: Apr 16

Call 1300 369 273
www.enware.com.au

Enware Australia Pty Limited
9 Endeavour Rd Caringbah NSW 2229 Australia
Ph: 02 8536 4000 Fax: 02 8556 4055

ENWARE
installing confidence