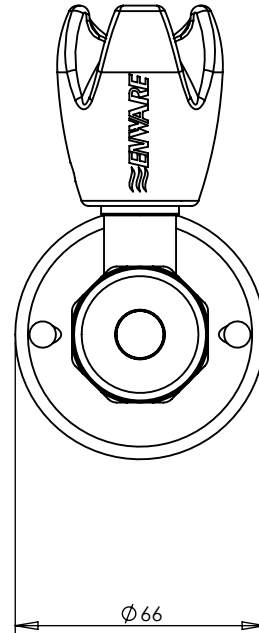
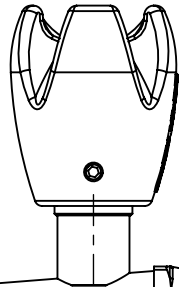
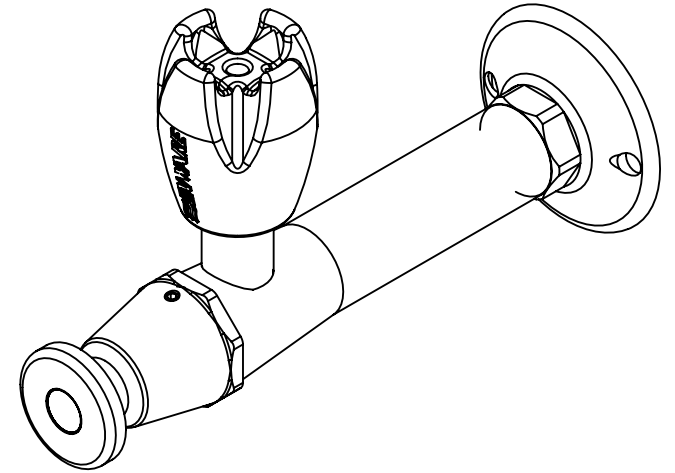
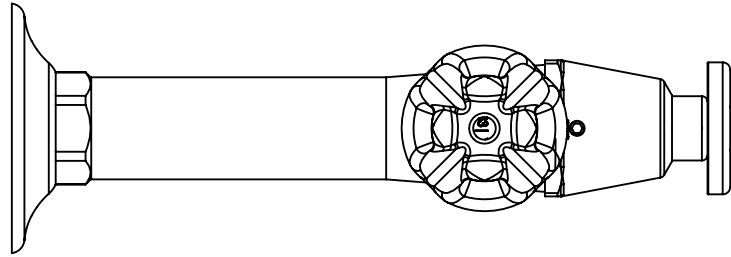


A

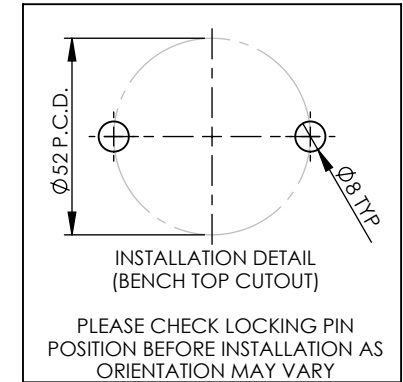
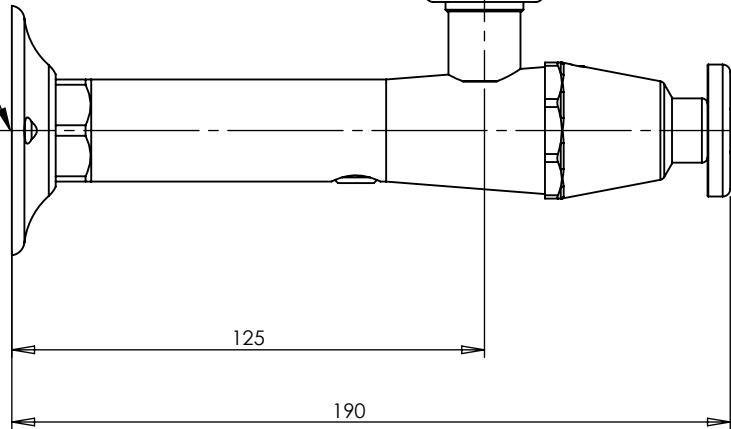
B

C

D



1/2" BSP



125

190

Ø66



GENERAL NOTES:
 - DIMENSIONS ARE IN mm's
 - DO NOT SCALE OFF DIMENSIONS
 - TAPWARE TOLERANCE ± 2 (EXCEPT WHERE STATED)
 - SAFETY SANITARY AND CARE TOLERANCE ± 5 (EXCEPT WHERE STATED)

This drawing is the property of Enware Australia Pty Ltd and may not be reproduced in full or part without the written consent of Enware Australia.

DRAWN	AC
CHECKED	LR
APPROVED	LR



9 Endeavour Rd,
Caringbah, NSW, 2229
Ph. +61 2 8536 4000
Fax. +61 2 8556 4055

DRAWING NUMBER: BUB219RB		REV B.00
TITLE: T100 BUB219B W RUBBER GUARD		
FINISH: CHROME PLATED	SIZE: A4	SCALE: 1:2

A

B

C

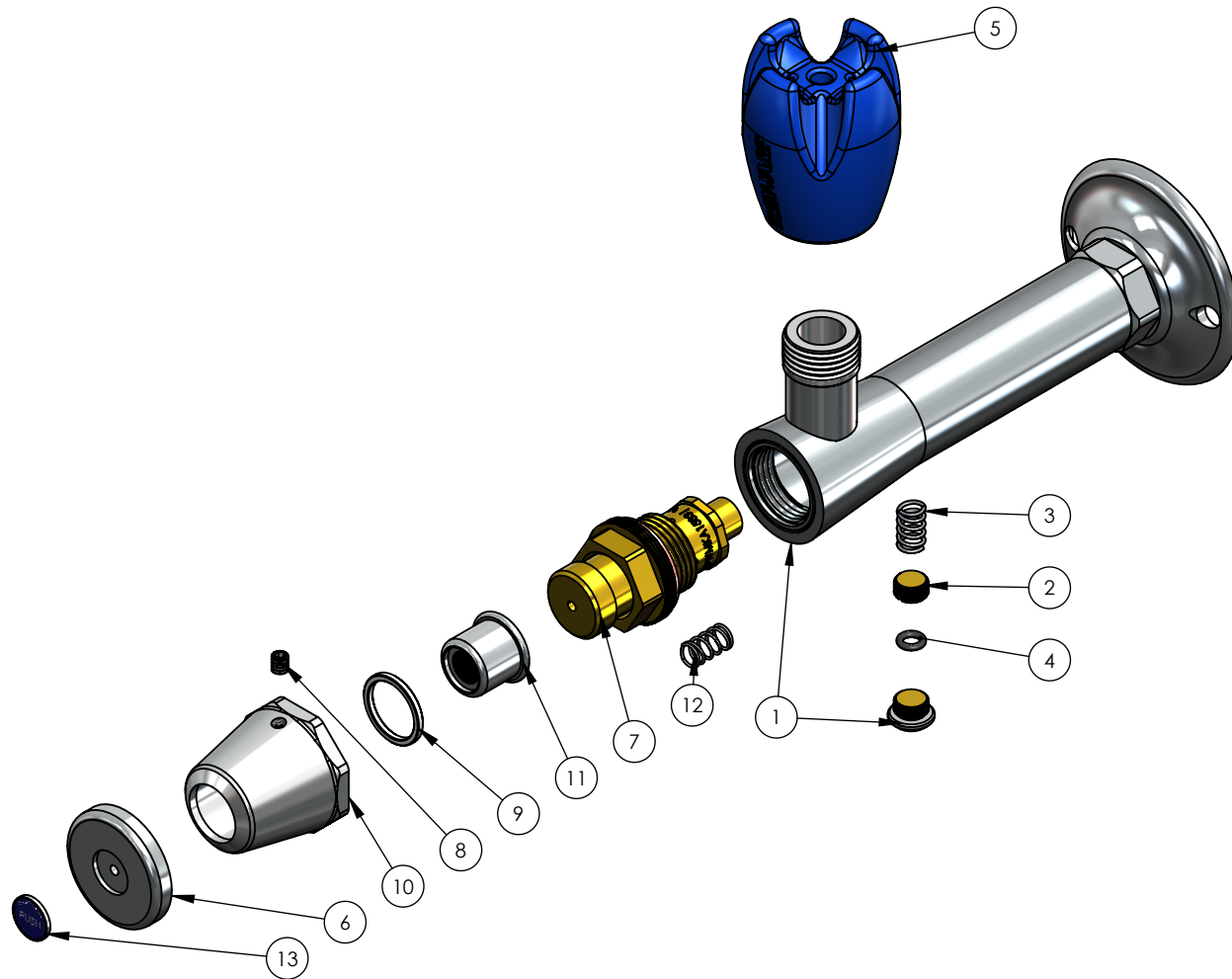
D

A

B

C

D



ITEM NO.	PART NUMBER	DESCRIPTION	QTY.
1	881631	TYPE 100 FRAME SUIT RUBBER GUARD	1
2	893514	SCREW-3/8 INCH REGULATOR	1
3	672492	SPRING-REG\S/BOX FOR BUBBLER	1
4	672345	ORING BS008 BUBBLER SPINDLE NEW	1
5	693213	GUARD-BUBBLER RUBBER	1
6	881107	BUTTON DISABLED PUSH (TF)	1
7	790506	SUB SBA LEVER ACTION BUBBLER	1
8	672455	SCREW SOC. GRUB 10-24 UNC X 3/16 S/S 304	1
9	693494	SPACER - BUBBLER	1
10	880151	DOME-LEVER (BUBBLER)	1
11	881093	BUTTON PUSH BUBBLER	1
12	672479	SPRING-BUBBLER LIGHT	1
13	672094	BUTTON-PUSH NEW STYLE ENWARE (TF)	1

GENERAL NOTES:

- REMOVE ALL BURRS AND SHARP EDGES UNLESS OTHERWISE STATED
- ALL THREADS TO BE CHAMFERED
- DIMENSIONS ARE IN mm's
- DO NOT SCALE OFF DIMENSIONS

TOLERANCE EXCEPT WHERE STATED:

- NO DECIMAL POINT / 2
- ONE DECIMAL PLACE / 1
- ANGLES / 1°

ENWARE RESERVES THE RIGHT TO AMMEND PRODUCT SPECIFICATIONS AND DESIGNS WITHOUT NOTICE

DRAWN	AC
CHECKED	LR
APPROVED	LR



This drawing is the property of Enware Australia Pty Ltd and may not be reproduced in full or part without the written consent of Enware Australia.



9 Endeavour Rd,
Caringbah, NSW, 2229
Ph. +61 2 8536 4000
Fax. +61 2 8556 4055



TITLE
T100 BUB219B W RUBBER GUARD

DRAWING NUMBER: **BUB219RB**

FINISH: CHROME PLATED

SIZE: A4

SCALE: 1:2

SHEET: 2 OF 2

REVISION

REV.	DATE	ECN	DESCRIPTION	MODIFIED BY
B	11/04/16	5539	881 107 REPLACE STANDARD BUTTON	AC

A

B

C

D