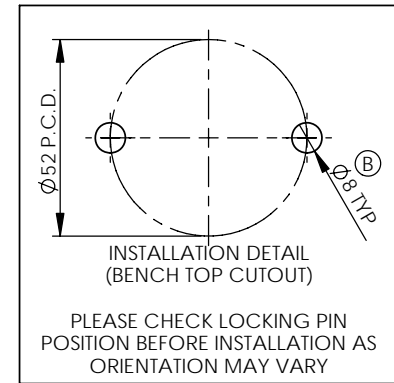
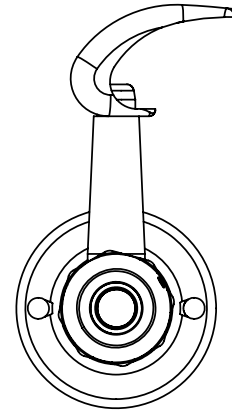
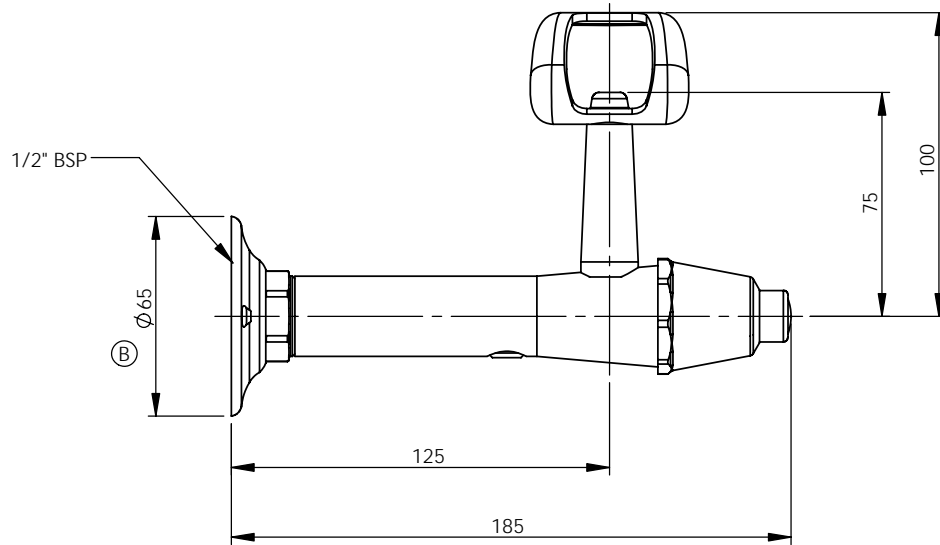
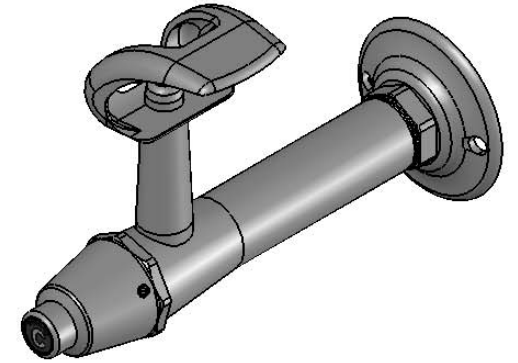
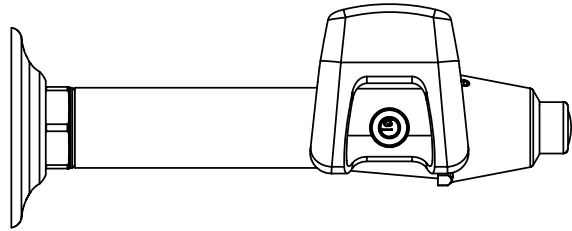


**APPROVED**

By L. Rosenberger at 9:24 am, Dec 18, 2007



REV	DATE	CN	AMMENDMENTS	MODIFIED BY
A	10/10/06		FIRST ISSUE	
B	17/12/07		Ø65 WAS Ø66, Ø8 TYP WAS Ø7 TYP, 26 DELETED, OUTLET WAS LHS, NOW RHS (B)	KN

**GENERAL NOTES:**  
 REMOVE ALL BURRS AND SHARP EDGES UNLESS OTHERWISE STATED  
 DIMENSIONS ARE IN mm's  
**TOLERANCE EXCEPT WHERE STATED:**  
 NO DECIMAL POINT / 0.2  
 ONE DECIMAL PLACE / 0.1  
 TWO DECIMAL PLACES / 0.05  
 ANGLES / 1  
 ENWARE RESERVES THE RIGHT TO AMEND PRODUCT SPECIFICATIONS AND DESIGNS WITHOUT NOTICE.

DRAWN	KN	9 Endeavour Rd, Caringbah, NSW, 2229	
CHECKED		Ph. 61-2-9525-9511	
APPROVED		Fax. 61-2-9524-8421	
TITLE: <b>T100 WALL MT FTN BTN</b>			
Scale: Not To Scale		Scale: Not To Scale	
MATERIAL:			
FINISH: <b>CHROME PLATED</b>			
This drawing is the Copyright of Enware Australia Pty Ltd and may not be reproduced in full or part without the written consent of Enware Australia Pty Ltd		DWG NO.	SHEET 1 OF 2
		<b>BUB219B</b>	