

Wall Fountain - Cam Action

BUB218C

Enware's Australian-made self-closing drinking fountains and bubblers are constructed from dezincification resistant (DR) brass and are WaterMark Licensed to AS/NZS 3718. Featuring a vandal resistant handle, a durable chrome plated finish and an integral adjustable flow regulator allowing onsite control of the flow of water from the outlet. The unique valve design provides an effective, low maintenance mechanism for a range of flow conditions. The tapware and bubblers are serviceable with all wearing components replaceable, thus providing a longer life.

FEATURES

- Vandal resistant design
- Self-closing mechanism
- DR Brass construction
- Integral adjustable flow regulator
- Stainless steel bowl

OPTIONS

- Button Action - refer to BUB218B
- Lever Action - refer to BUB218L



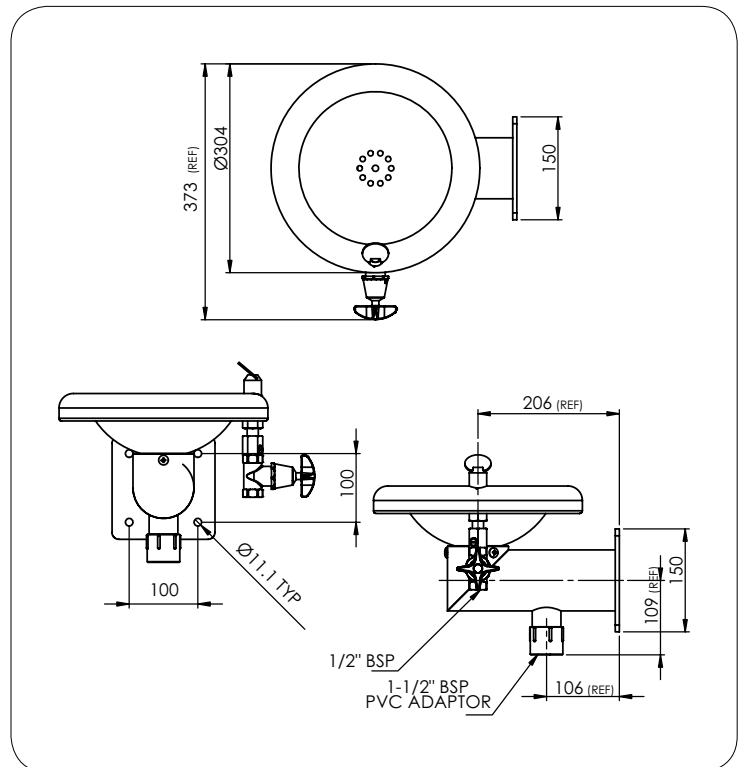
Product Codes

BUB218C Wall fountain - Cam Action

Technical Information

Inlet Connection	15mm 1/2" BSP
Recommended Working Pressure	100- 500 kPa
Flow Rate	2-2.5 l/minute (adjustable)
Maximum Operating Temperature	5-30 °C

Enware tapware must be installed in accordance with the provisions of AS/NZS3500 and any relevant local regulations. Installations not complying with AS/NZS3500 may void the product and performance warranty provisions. The performance of Enware AS/NZS 3718 tapware, in many cases, exceeds the plumbing system design requirements of the Plumbing Code of Australia and AS/NZS 3500.



Version: Sep 13

Call 1300 369 273
www.enware.com

Enware Australia Pty Limited
9 Endeavour Rd Caringbah NSW 2229 Australia
Ph: 02 8536 4000 Fax: 02 8556 4055

ENWARE
installing confidence