

# Wall Fountain - Button Action

## BUB218B

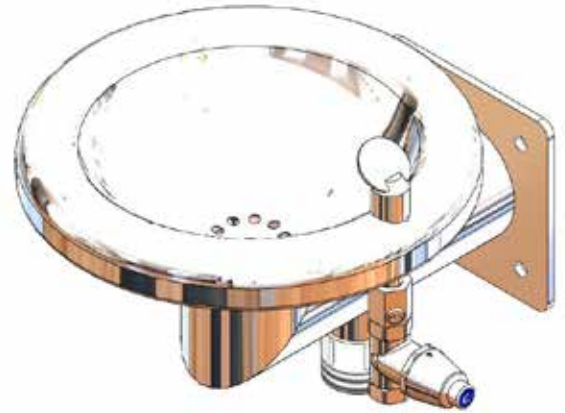
Enware's Australian-made self-closing drinking fountains and bubblers are constructed from dezincification resistant (DR) brass and are WaterMark Licensed to AS/NZS 3718. Featuring a vandal resistant handle, a durable chrome plated finish and an integral adjustable flow regulator allowing onsite control of the flow of water from the outlet. The unique valve design provides an effective, low maintenance mechanism for a range of flow conditions. The tapware and bubblers are serviceable with all wearing components replaceable, thus providing a longer life.

### FEATURES

- Vandal resistant design
- Self-closing mechanism
- DR Brass construction
- Integral adjustable flow regulator
- Stainless steel bowl

### OPTIONS

- Lever Action - refer to BUB218L
- Cam Action - refer to BUB218C



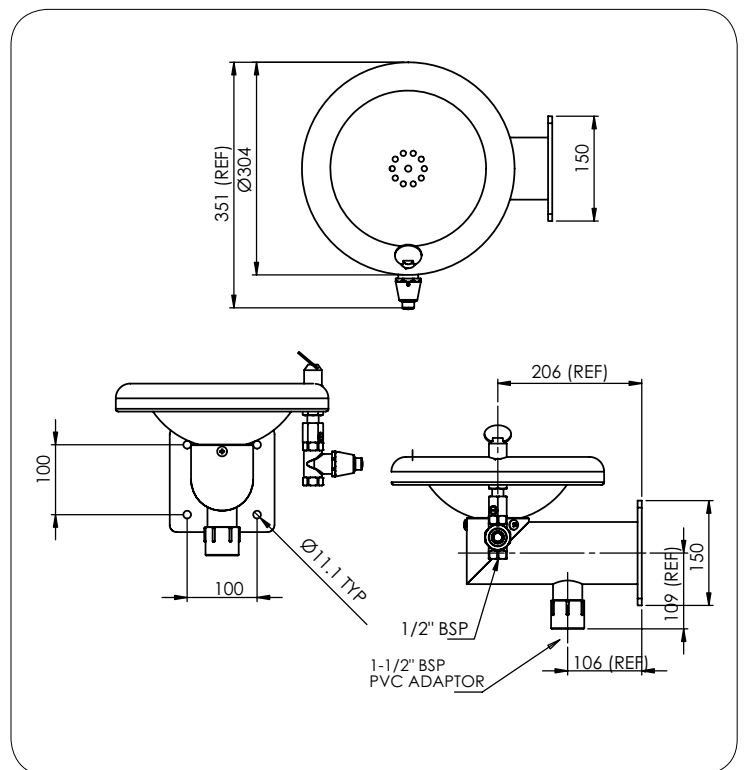
### Product Codes

**BUB218B** Wall Fountain - Button Action

### Technical Information

|                               |                             |
|-------------------------------|-----------------------------|
| Inlet Connection              | 15mm 1/2" BSP               |
| Recommended Working Pressure  | 100- 500 kPa                |
| Flow Rate                     | 2-2.5 l/minute (adjustable) |
| Maximum Operating Temperature | 5-30 °C                     |

Enware tapware must be installed in accordance with the provisions of AS/NZS3500 and any relevant local regulations. Installations not complying with AS/NZS3500 may void the product and performance warranty provisions. The performance of Enware AS/NZS 3718 tapware, in many cases, exceeds the plumbing system design requirements of the Plumbing Code of Australia and AS/NZS 3500.



Version: Sep 13

Call 1300 369 273  
www.enware.com

Enware Australia Pty Limited  
9 Endeavour Rd Caringbah NSW 2229 Australia  
Ph: 02 8536 4000 Fax: 02 8556 4055

**ENWARE**  
installing confidence