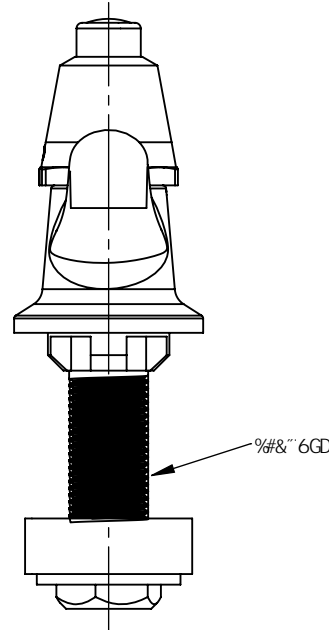
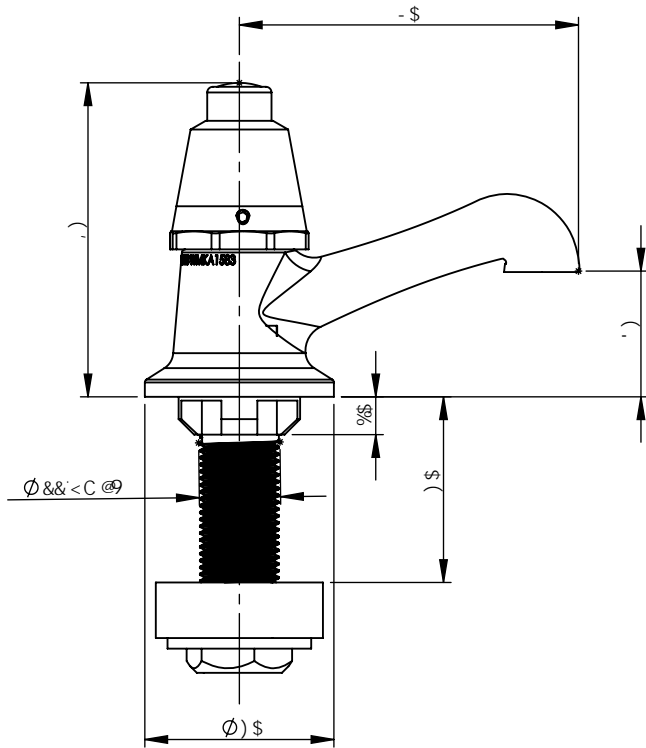
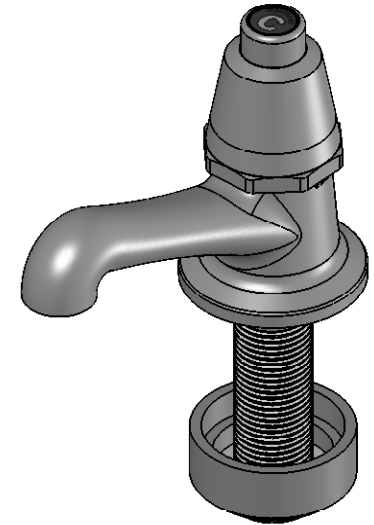


: #16C Hk FCI B8 / 'GE I 5F9 < C & \textcircled{A}

#GH5 @5HC B 89H5 @



F9J	85H9	7 B	5A A 9B8A 9BHG	5 DD
5	%+#\$, #S*		: FGH6GI 9	
6	& #S%\$S+		F98F5K B '5B8 F95GG9A 6@9! '6M?B	

: 9B9F5@BCH9G  
 : F9A C J 95@61 FFG5B8  
 : G-5FD98: 9GI B@9GG  
 : C H: 9FK @9GH5H98  
 : 8 A 9BGC BG5F9-B a a @  
 HC @F5B799L7 9DHC <9F9GH5H98:  
 BC 897 A 5@DC BH ..... 2/ \$"&  
 CB9897 A 5@D@579 ..... 2/ \$%  
 HK C 897 A 5@D@579G ..... 2/ \$\*S)  
 5B: @G ..... 2/ %  
 9BK 5F9F99FJ 9GH: 9F@ <HC 5A 9B8 DFC 8I 7M  
 Q97 @ 7 5HC BG5B8 89@ BGK H: C I HBC H7 9'

8F5K B	D?	- 9bXYUj ci fFX2
7 <97 798	PK	7 Ufj b[ VU\zBGK z&&&- D\ " * 9&(-) & ) (-) %& : UI " * 9&(-) & (!, (&%
5DDFC J 98		
HH@: H, 'G#@D@5 F '7 C 7? '6H		
GW.Y. BchH: GW.Y		
A 5HF 5@		
: B G<.		
HjgXfUk bl jghY 7cdfj\ hcz 9bk UY 5i gfu jU Dtm@X UbX a Um bc hVY fdfcXl WX jz z cfdUth k hci hAY k fHY b Vebg/bhcZ 9bk UY 5i gfu jU Dtm@X		

**ENWARE**  
 AUSTRALIA PTY LIMITED

8K: BC"  
 G: 99H% C: &  
**61 6&\$- 6**