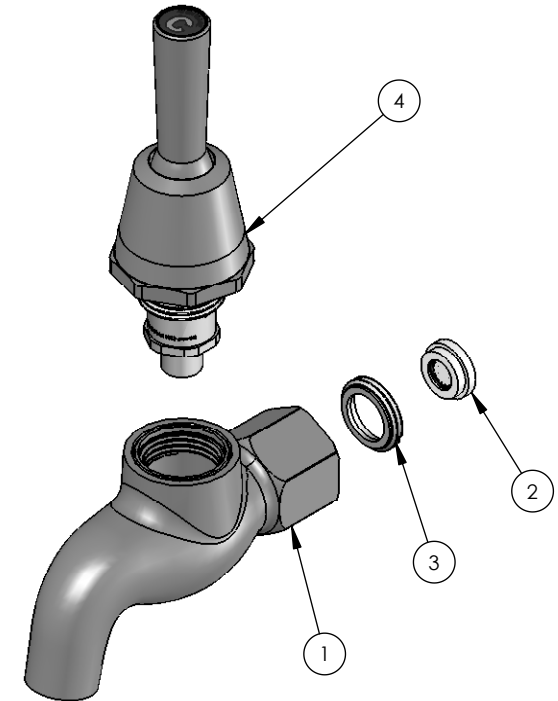
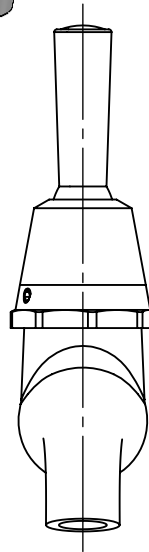
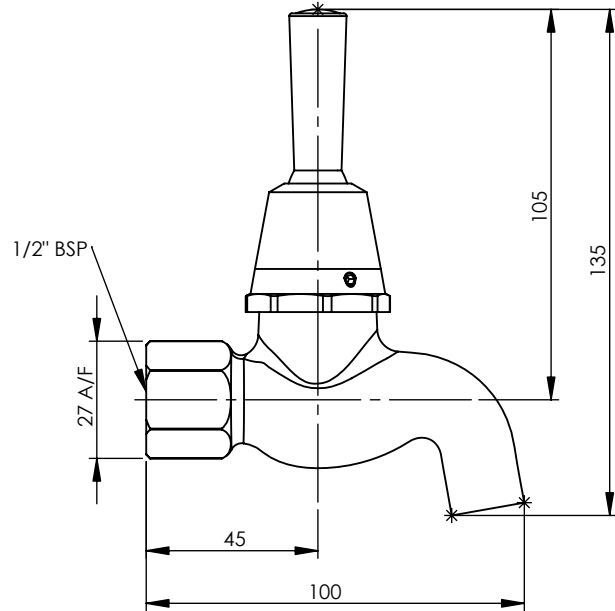
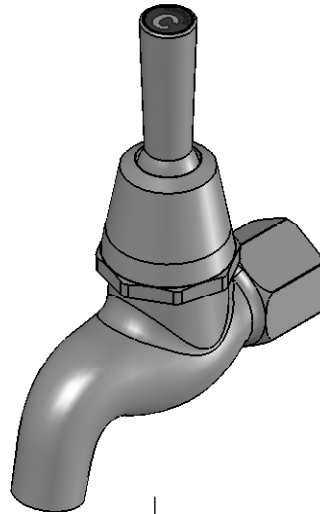
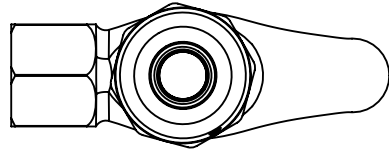


ITEM NO.	PART NUMBER	DESCRIPTION	QTY.
1	880115	COCK-BIB 1/2 FEMALE	1
2	671445	REG M&K 'E' 8 L/M WHITE	1
3	893515	RESTRICTOR FLOW INSERT 1/2	1
4	790272	SPRING TOP ASSY-LEVER ACTION (BALL)	1



REV	DATE	CN	AMMENDMENTS	APP
A	17/08/06		DRAWN IN SOLIDWORKS	
B	22/01/07		REDRAWN AND REASSEMBLE - BY KN	PK

GENERAL NOTES:
 REMOVE ALL BURRS AND SHARP EDGES UNLESS OTHERWISE STATED
 DIMENSIONS ARE IN mm's
 TOLERANCE EXCEPT WHERE STATED:
 NO DECIMAL POINT ± 0.2
 ONE DECIMAL PLACE ± 0.1
 TWO DECIMAL PLACES ± 0.05
 ANGLES ± 1

ENWARE RESERVES THE RIGHT TO AMEND PRODUCT SPECIFICATIONS AND DESIGNS WITHOUT NOTICE.

DRAWN	PK	9 Endeavour Rd, Caringbah, NSW, 2229 Ph. 61-2-9525-9511 Fax. 61-2-9524-8421	
CHECKED	PK		
APPROVED	LR		
TITLE: T47 S/L BIB COCK FLVLR			
Scale: Not To Scale		Scale: Not To Scale	
MATERIAL:			
FINISH:			
This drawing is the Copyright of Enware Australia Pty Ltd and may not be reproduced in full or part without the written consent of Enware Australia Pty Ltd		DWG NO. BUB208L	SHEET 1 OF 1