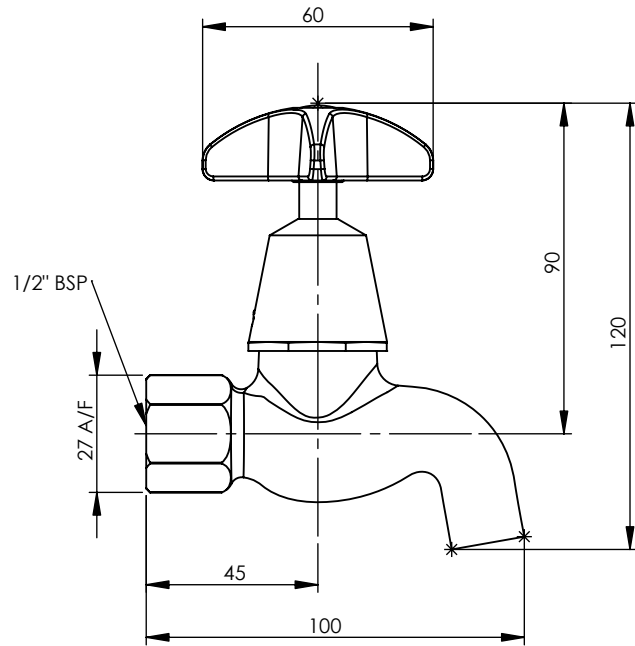
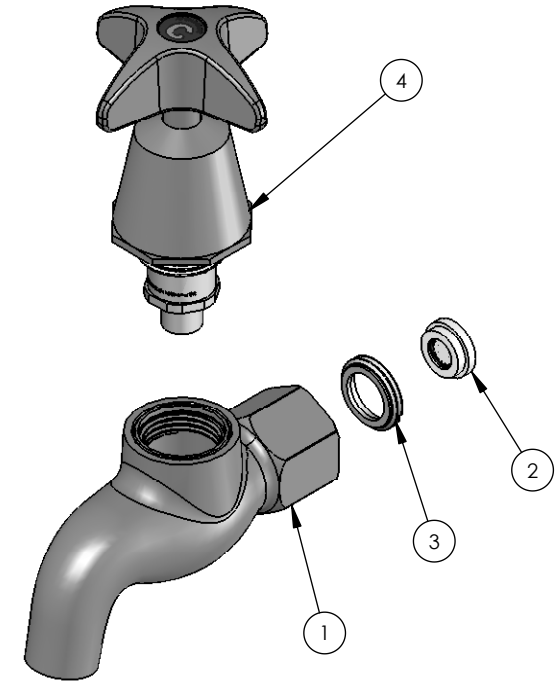
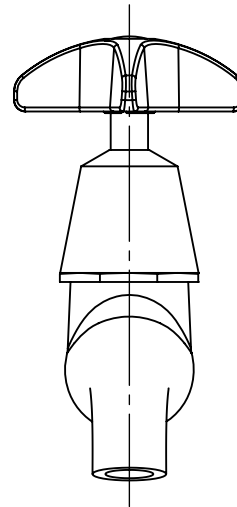
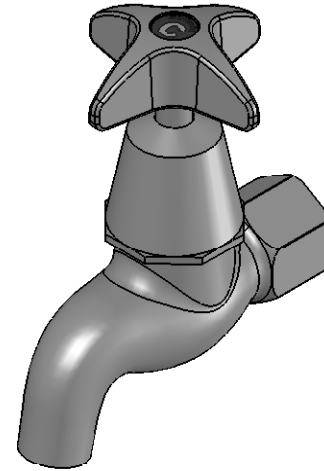
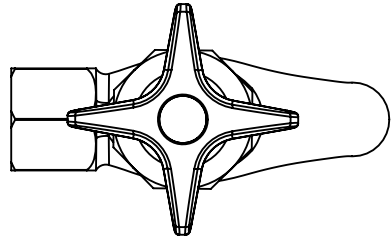


ITEM NO.	PART NUMBER	DESCRIPTION	QTY.
1	880115	COCK-BIB 1/2 FEMALE	1
2	671445	REG M&K 'E' 8 L/M WHITE	1
3	893515	RESTRICTOR FLOW INSERT 1/2	1
4	790271	SPRING TOP ASSY-CAM ACTION (BALL)	1



REV	DATE	CN	AMMENDMENTS	APP
A	17/08/06		DRAWN IN SOLIDWORKS	
B	22/01/07		REDRAWN AND REASSEMBLE - BY KN	PK

GENERAL NOTES:  
 REMOVE ALL BURRS AND SHARP EDGES UNLESS OTHERWISE STATED  
 DIMENSIONS ARE IN mm's  
 TOLERANCE EXCEPT WHERE STATED:  
 NO DECIMAL POINT  $\pm 0.2$   
 ONE DECIMAL PLACE  $\pm 0.1$   
 TWO DECIMAL PLACES  $\pm 0.05$   
 ANGLES  $\pm 1$

ENWARE RESERVES THE RIGHT TO AMEND PRODUCT SPECIFICATIONS AND DESIGNS WITHOUT NOTICE.

DRAWN	PK	9 Endeavour Rd, Caringbah, NSW, 2229 Ph. 61-2-9525-9511 Fax. 61-2-9524-8421	
CHECKED	PK		
APPROVED	LR		
TITLE: T47 S/L BIB COCK FI CAM			
Scale: Not To Scale		Scale: Not To Scale	
MATERIAL:			
FINISH:			
This drawing is the Copyright of Enware Australia Pty Ltd and may not be reproduced in full or part without the written consent of Enware Australia Pty Ltd		DWG NO. <b>BUB208C</b>	SHEET 1 OF 1