

# Type 47 Self Closing Bib Tap Button Action

Enware's Australian-made self-closing drinking fountains and bubblers are constructed from dezincification resistant (DR) brass and are WaterMark Licensed to AS/NZS 3718.

The unique valve design provides an effective, low maintenance mechanism for a range of flow conditions. The tapware is serviceable with all wearing components replaceable, thus providing a longer life.

## FEATURES

- Vandal resistant design
- Durable chrome plated finish
- Self-closing mechanism
- DR Brass construction
- WELS 4 Star supplied standard. WELS 6 or 3 Star ratings also available

## OPTIONS

- Lever Action - refer to BUB208L
- Cam Action - refer to BUB208C

# BUB208B



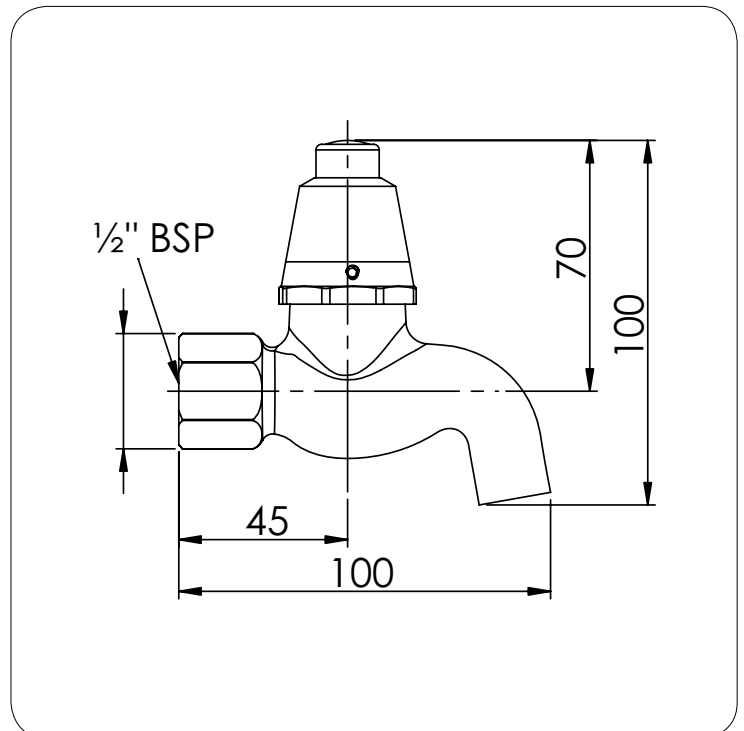
## Product Codes

**BUB208B** Button Action

## Technical Information

Inlet Connection	1/2" BSP Female
Recommended Working Pressure	100- 500 kPa
Maximum Operating Temperature	5-30 °C

Enware tapware must be installed in accordance with the provisions of AS/NZS3500 and any relevant local regulations. Installations not complying with AS/NZS3500 may void the product and performance warranty provisions. The performance of Enware AS/NZS 3718 tapware, in many cases, exceeds the plumbing system design requirements of the Plumbing Code of Australia and AS/NZS 3500.



Version: May14

Call 1300 369 273  
[www.enware.com](http://www.enware.com)

Enware Australia Pty Limited  
9 Endeavour Rd Caringbah NSW 2229 Australia  
Ph: 02 8536 4000 Fax: 02 8556 4055

  
installing confidence