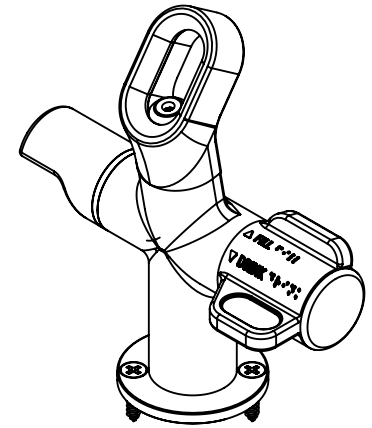
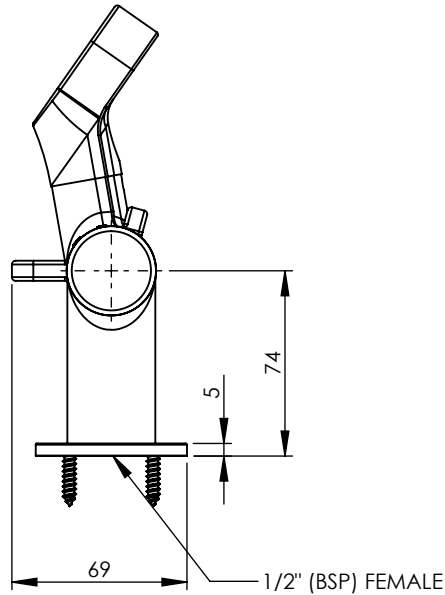
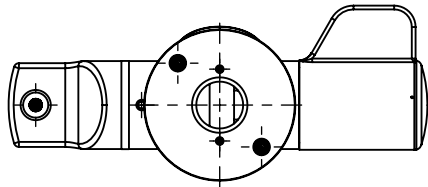
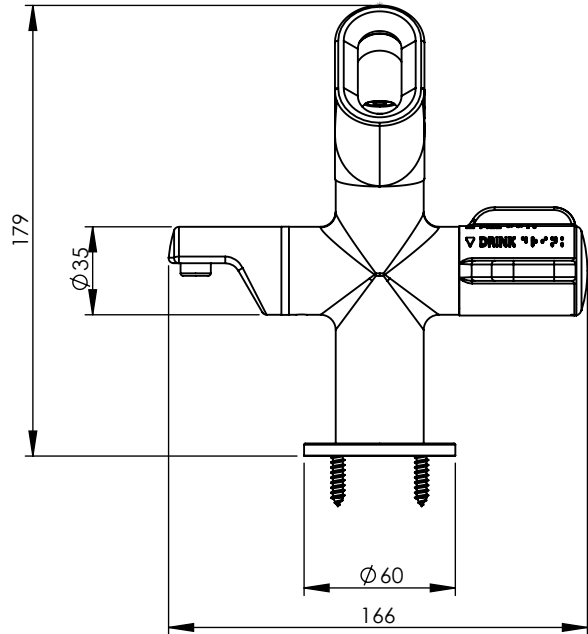
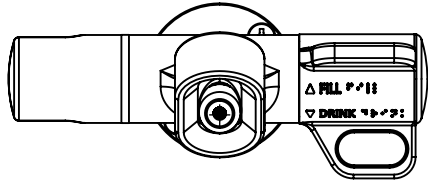


A

B

C

D



GENERAL NOTES:

- DIMENSIONS ARE IN mm's
- DO NOT SCALE OFF DIMENSIONS
- TAPWARE TOLERANCE / 2 (EXCEPT WHERE STATED)
- SAFETY SANITARY AND CARE TOLERANCE / 5 (EXCEPT WHERE STATED)

This drawing is the property of Enware Australia Pty Ltd and may not be reproduced in full or part without the written consent of Enware Australia.

DRAWN	TD
CHECKED	AK
APPROVED	RA



9 Endeavour Rd,
Caringbah, NSW, 2229
Ph. +61 2 8536 4000
Email: info@enware.com.au

DRAWING NUMBER: BUB205NCBF		REV: A.0
DESCRIPTION: T45 BLUELINE BUBB UPRIGHT W BOTTLE FILL		
FINISH:	SIZE: A4	SCALE: 1:3

A

B

C

D

1

2

3

4

1

2

3

4