

# Type 44/1 Wall Mounted Fountain & Bracket Lever Action

## BUB205L

Enware's Australian-made self-closing drinking fountains and bubblers are constructed from dezincification resistant (DR) brass and are WaterMark Licensed to AS/NZS 3718.

The unique valve design provides an effective, low maintenance mechanism for a range of flow conditions. The tapware and bubblers are serviceable with all wearing components replaceable, thus providing a longer life.

### FEATURES

- Vandal resistant design
- Durable chrome plated finish
- Self-closing mechanism
- DR Brass construction
- Integral adjustable flow regulator

### OPTIONS

- Cam Action - refer to BUB205C
- Button Action - refer to BUB205B



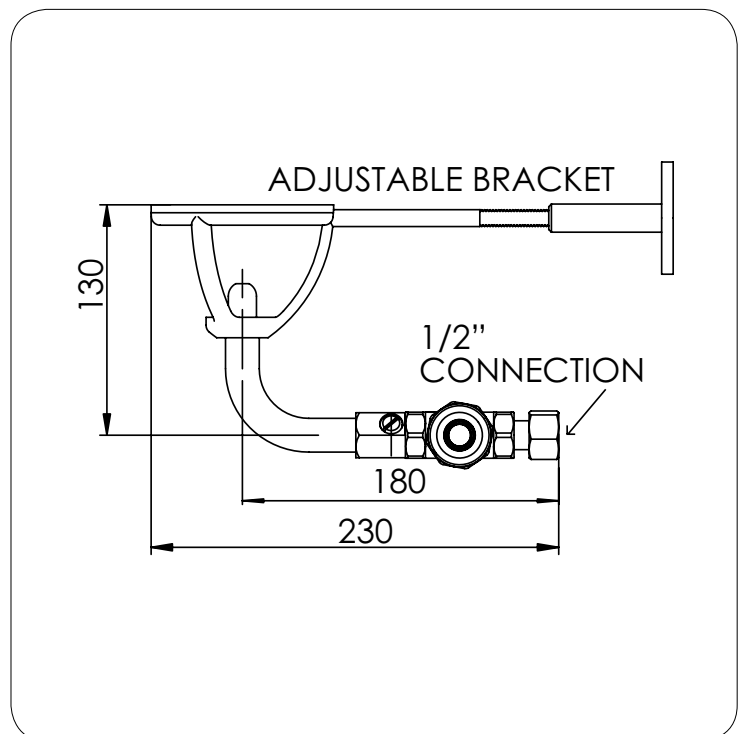
### Product Codes

**BUB205L**      Lever Action

### Technical Information

Inlet Connection	1/2" BSP Female
Recommended Working Pressure	100- 500 kPa
Flow Rate	2 l/minute (adjustable)
Maximum Operating Temperature	5-30 °C

Enware tapware must be installed in accordance with the provisions of AS/NZS3500 and any relevant local regulations. Installations not complying with AS/NZS3500 may void the product and performance warranty provisions. The performance of Enware AS/NZS 3718 tapware, in many cases, exceeds the plumbing system design requirements of the Plumbing Code of Australia and AS/NZS 3500.



Version: May14

**Call 1300 369 273**  
**www.enware.com**

Enware Australia Pty Limited  
9 Endeavour Rd Caringbah NSW 2229 Australia  
Ph: 02 8536 4000 Fax: 02 8556 4055

**ENWARE**  
installing confidence