

# Type 44 Wall Mounted Fountain Cam Action

## BUB204C

Enware's Australian-made self-closing drinking fountains and bubblers are constructed from dezincification resistant (DR) brass and are WaterMark Licensed to AS/NZS 3718.

The unique valve design provides an effective, low maintenance mechanism for a range of flow conditions. The tapware and bubblers are serviceable with all wearing components replaceable, thus providing a longer life.

### FEATURES

- Vandal resistant design
- Self-closing mechanism
- DR Brass construction
- Integral adjustable flow regulator
- Fixed brass mouth guard prevents unnecessary user contact

### OPTIONS

- Lever Action - refer to BUB204L
- Button Action - refer to BUB204B
- Available with Rubber Mouthguard - Product Code ENW00521



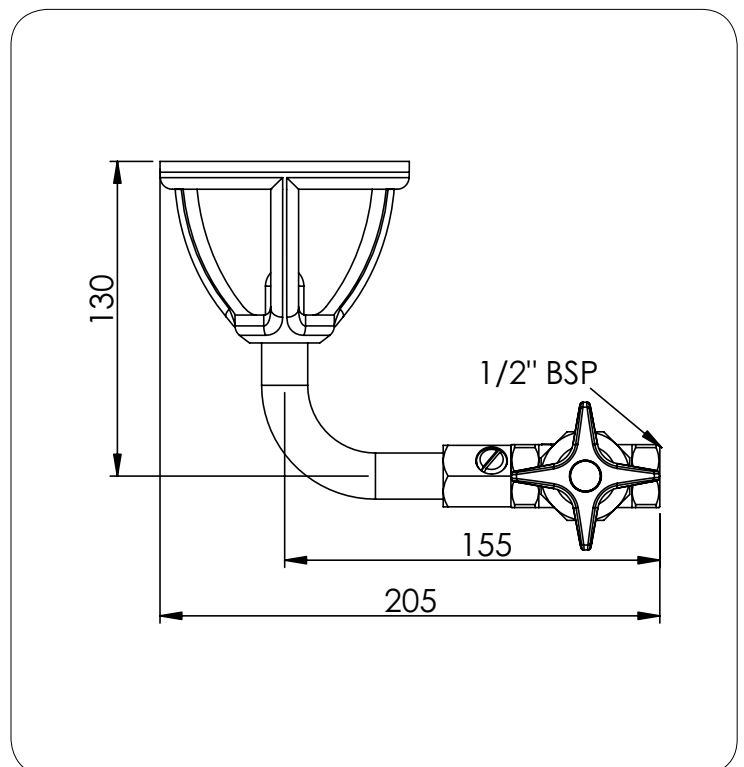
### Product Codes

**BUB204C**     Cam Action

### Technical Information

|                               |                         |
|-------------------------------|-------------------------|
| Inlet Connection              | 1/2" BSP Female         |
| Recommended Working Pressure  | 100- 500 kPa            |
| Flow Rate                     | 2 l/minute (adjustable) |
| Recommended Temperature Range | 5-30 °C                 |

Enware tapware must be installed in accordance with the provisions of AS/NZS3500 and any relevant local regulations. Installations not complying with AS/NZS3500 may void the product and performance warranty provisions. The performance of Enware AS/NZS 3718 tapware, in many cases, exceeds the plumbing system design requirements of the Plumbing Code of Australia and AS/NZS 3500.



Version: Sep15

**Call 1300 369 273**  
**www.enware.com.au**

Enware Australia Pty Limited  
9 Endeavour Rd Caringbah NSW 2229 Australia  
Ph: 02 8536 4000 Fax: 02 8556 4055

  
installingconfidence