

A

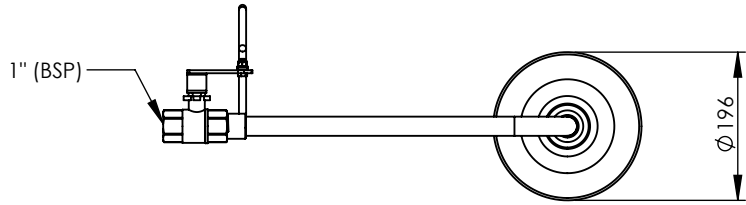
B

C

D

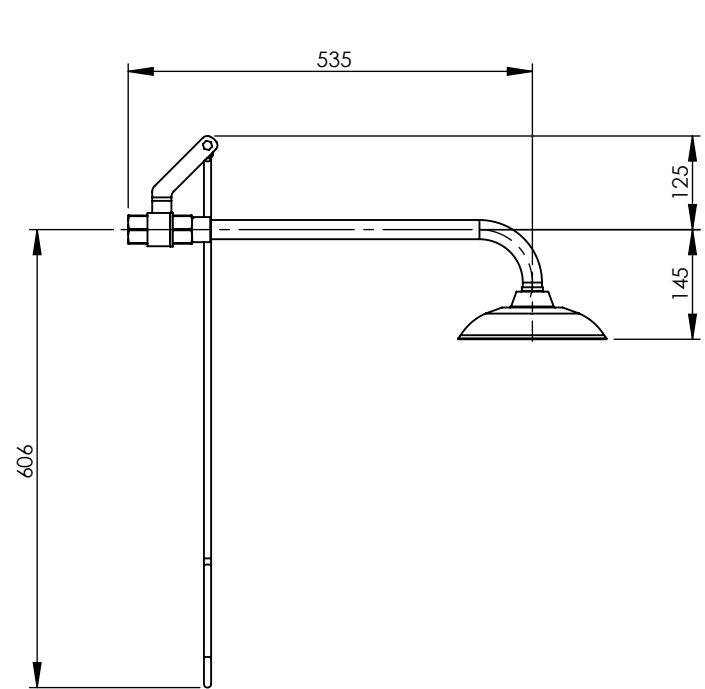
1

1



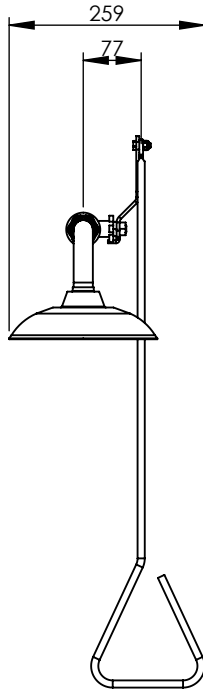
2

2



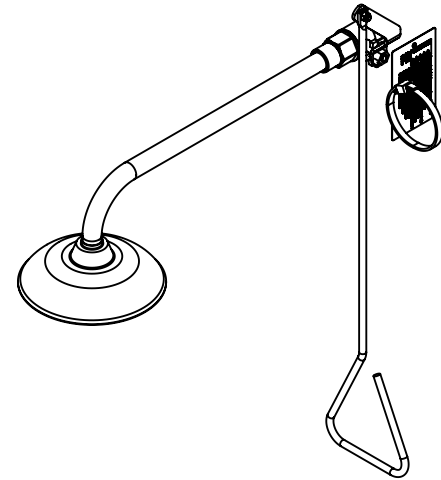
3

3



4

4



GENERAL NOTES:
 -- DIMENSIONS ARE IN mm's
 -- DO NOT SCALE OFF DIMENSIONS
 -- TAPWARE TOLERANCE / 2 (EXCEPT WHERE STATED)
 -- SAFETY SANITARY AND CARE TOLERANCE / 5 (EXCEPT WHERE STATED)

This drawing is the property of Enware Australia Pty Ltd and may not be reproduced in full or part without the written consent of Enware Australia.

DRAWN	PK
CHECKED	RA
APPROVED	AK



9 Endeavour Rd, Caringbah, NSW, 2229
 Ph. +61 2 8536 4000
 Email: info@enware.com.au

DRAWING NUMBER: EW1050		REV: G.0
DESCRIPTION: WALL MOUNT DELUGE & PULL HANDLE		
FINISH: TYPE 316 STAINLESS STEEL	SIZE: A4	SCALE: 1:10

A

B

C

D