

Emergency Eye/Face Wash No-Bowl Pedestal Mounted Hand/Foot Operated

Enware's emergency eye/face wash units help to flush contaminants and irritants from eyes and facial area.

ENBE390

Designed and manufactured in Australia. Stainless steel construction provides superior durability and reliability.

FEATURES

- Independently tested for compliance to ANSI Z358.1 and AS4775
- Freestanding for stand-alone operation
- Stainless steel pipe work and stay-open ball valve
- Stainless steel 200 mm (8") shower head assembly
- Integral volume adjustment control
- Push and foot activated eye/face wash with integral auto-open dust covers
- Eye/face wash features "Vertech™ Technology" where dedicated eyewash and independently angled face wash streams deliver optimum coverage
- Zero velocity apex point provides more comfort and control for effective cleansing of eyes
- Solid stainless, low angle foot pedal for easy activation of eye/face wash
- High visibility yellow coated push handle and foot pedal

ADDITIONAL OPTIONS

- Audio/Visual alarms for alerts
- Flow pressure & proximity switches to activate alarms and lights
- Thermal relief valve removes built-up hot water
- Signage compliant to AS1319
- Insulation of pipe work to moderate water temperature build up
- Anti-freeze valve for cold weather climates to help prevent water freezing
- NPT flange connectors
- Custom manufacturing & design



Product Codes

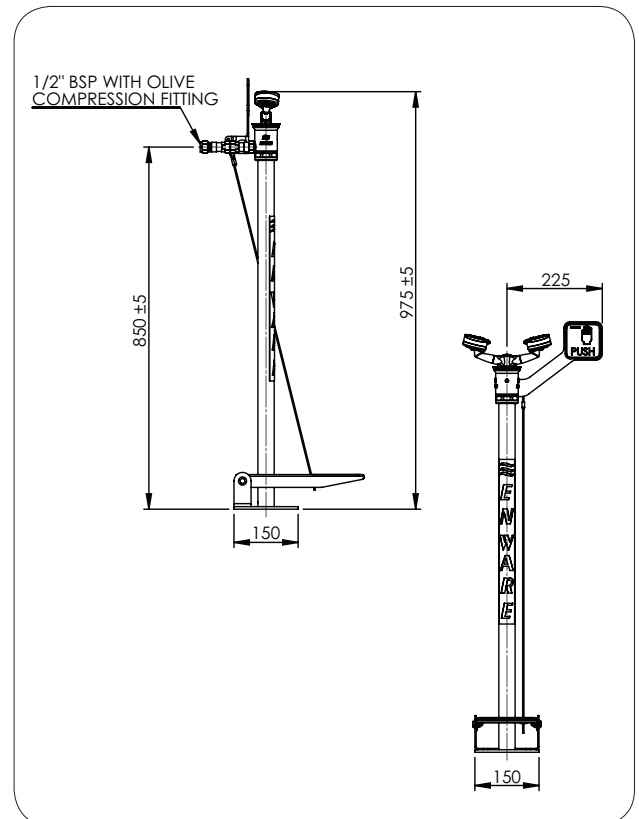
ENBE390	Standard Brushed Stainless Steel Finish
ENBE390GR	Green Powder Coated Finish
ENBE390OR	Orange Powder Coated Finish
ENBE390YE	Yellow Powder Coated Finish
ENBE390WH	White Powder Coated Finish

Technical Information

Inlet Connection	15 mm (1/2") BSP
Water Supply Line Size	Must be hydraulically sized to meet requirements.
Minimum Performance Requirements	210 kPa Caution should be taken when pressure exceeds 550 kPa (80 psi)
Minimum Flow Requirements	26 lpm (6.9 US gpm)
Waste Water Outlet Size	38 mm (1 1/2") OD
Mounting Base Plate Size	150 x 150 mm (5 9/10" x 5 9/10") with 4 Bolt Holes 11 mm (7/16")
Weight	approx. 9kg
Dimensions	1160 x 300 x 250 mm

Installation of emergency showers, eye and eye/face wash equipment shall be in accordance with AS/NZS4775-2007 or ANSI Standard Z358.1 - whichever is applicable to the installation. Enware Australia advises:

- Due to ongoing Research and Development, specifications may change without notice.
- Component specifications may change on some export models.



Version: May 18

Call 1300 369 273
www.enware.com.au

Enware Australia Pty Limited
9 Endeavour Rd Caringbah NSW 2229 Australia
Ph: 02 8536 4000 info@enware.com.au



A range of spare parts are available to maintain equipment and replacement of damaged parts.

Description	Order Code
1 Eye and Eye/Face Wash Frame Only	ESPE002
2 Push Handle to suit Eye and Eye/Face Washes	ESPE010
3 Foot operation conversion kit for Eye & Eye/Face Wash	ESPE001
4 Eye/Face Wash outlet includes dustcover & aerator (each)	ESPE012
5 Aerator to suit Eye/Face Wash only	ESPE013

