

A

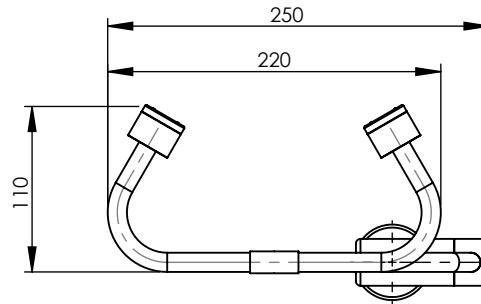
B

C

D

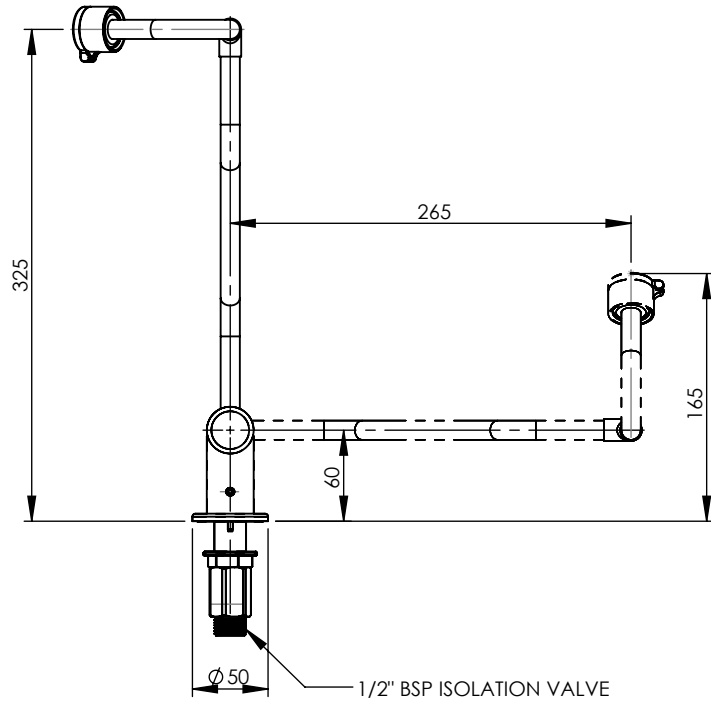
1

1



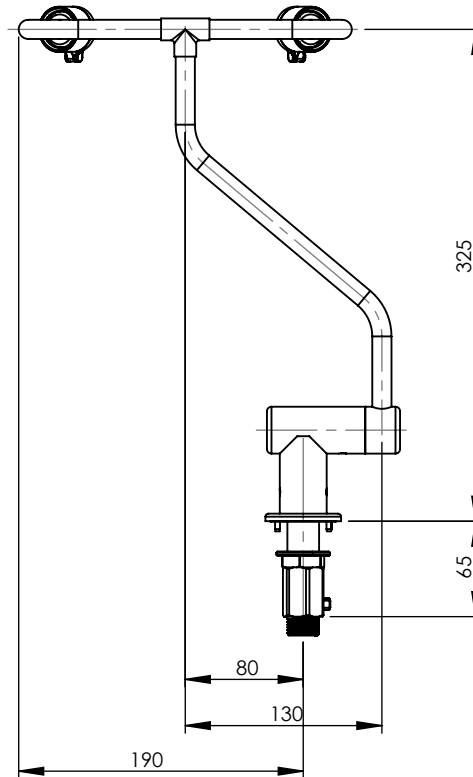
2

2



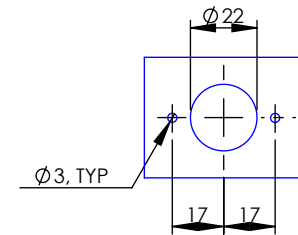
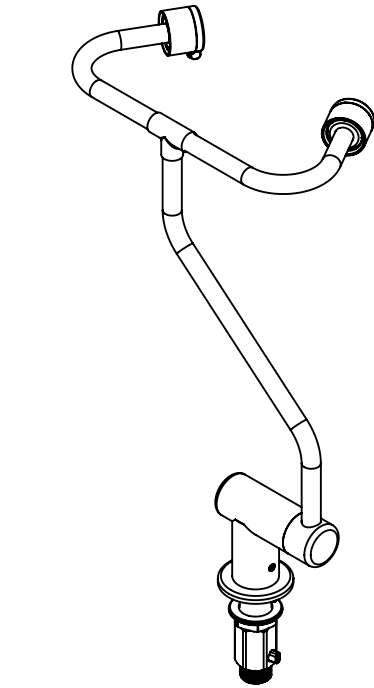
3

3



4

4



BENCH MOUNT CUTOUT DETAIL



**GENERAL NOTES:**  
 - DIMENSIONS ARE IN mm's  
 - DO NOT SCALE OFF DIMENSIONS  
 - TAPWARE TOLERANCE  $\pm 2$  (EXCEPT WHERE STATED )  
 - SAFETY SANITARY AND CARE TOLERANCE  $\pm 5$  (EXCEPT WHERE STATED )

This drawing is the property of Enware Australia Pty Ltd and may not be reproduced in full or part without the written consent of Enware Australia.

DRAWN	AC
CHECKED	AC
APPROVED	AC

**ENWARE**  
 AUSTRALIA PTY LIMITED  
 9 Endeavour Rd, Caringbah, NSW, 2229 Ph. 61-2-9525-9511 Fax. 61-2-9524-8421

DRAWING NUMBER: **EL486**

REV **C.00**

TITLE: **PULL DOWN EYEWASH BENCH MOUNT**

FINISH: CHROME PLATED

SIZE: A4

SCALE: 1:5

A

B

C

D