

A

B

C

D

1

1

2

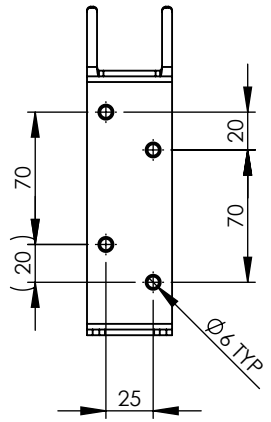
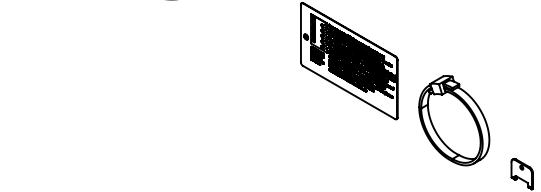
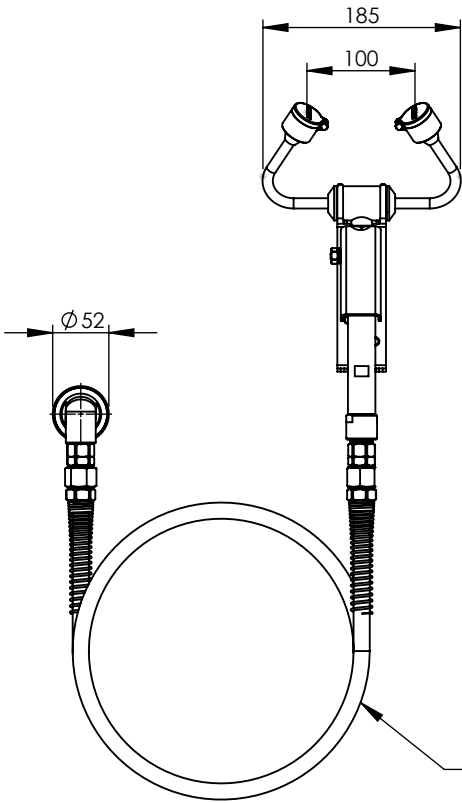
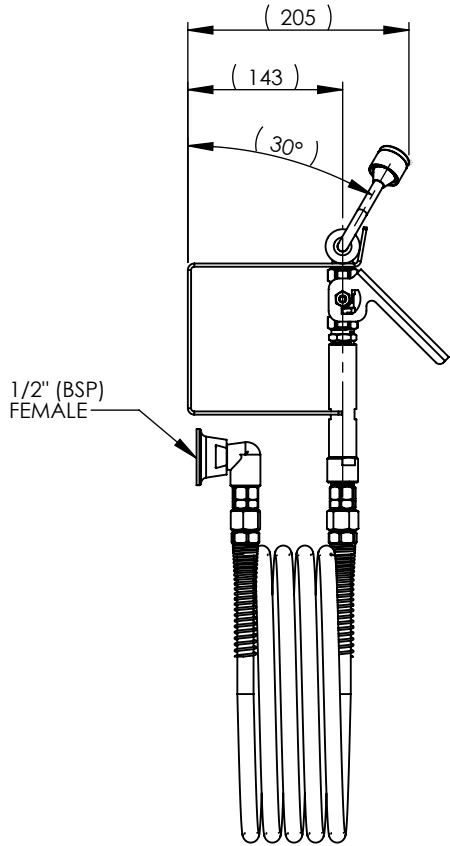
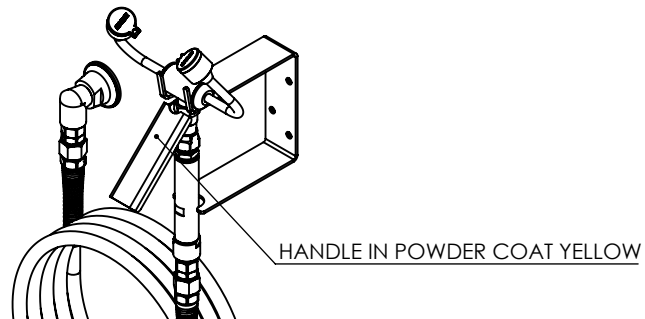
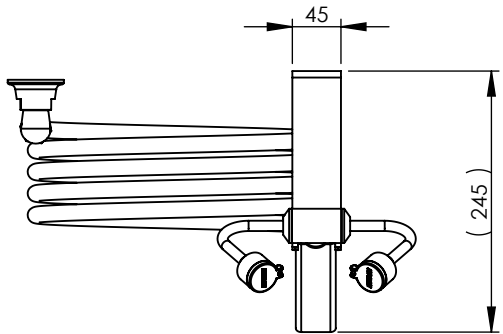
2

3

3

4

4



MOUNTING DETAIL



GENERAL NOTES:
 - DIMENSIONS ARE IN mm's
 - DO NOT SCALE OFF DIMENSIONS
 - TAPWARE TOLERANCE / 2 (EXCEPT WHERE STATED)
 - SAFETY SANITARY AND CARE TOLERANCE / 5 (EXCEPT WHERE STATED)

This drawing is the property of Enware Australia Pty Ltd and may not be reproduced in full or part without the written consent of Enware Australia.

| | |
|----------|----|
| DRAWN | TD |
| CHECKED | RA |
| APPROVED | AK |



9 Endeavour Rd, Caringbah, NSW, 2229
 Ph. +61 2 8536 4000
 Email: info@enware.com.au

| | | |
|--|----------|------------|
| DRAWING NUMBER: EL485 | | REV: K.0 |
| DESCRIPTION: WALL MOUNTED HAND HELD DRENCH HOSE - DUAL OUTLET | | |
| FINISH: | SIZE: A4 | SCALE: 1:7 |

A

B

C

D